

## Specifications & Options

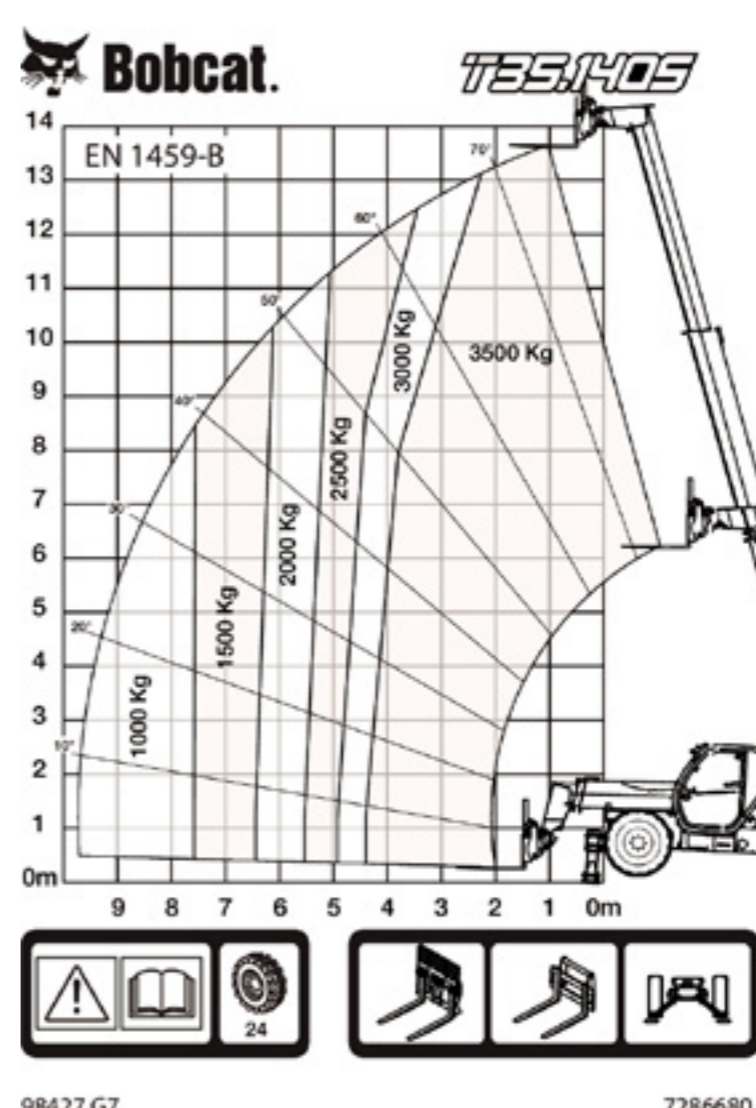
### Bobcat T35.140S T3

#### Performance

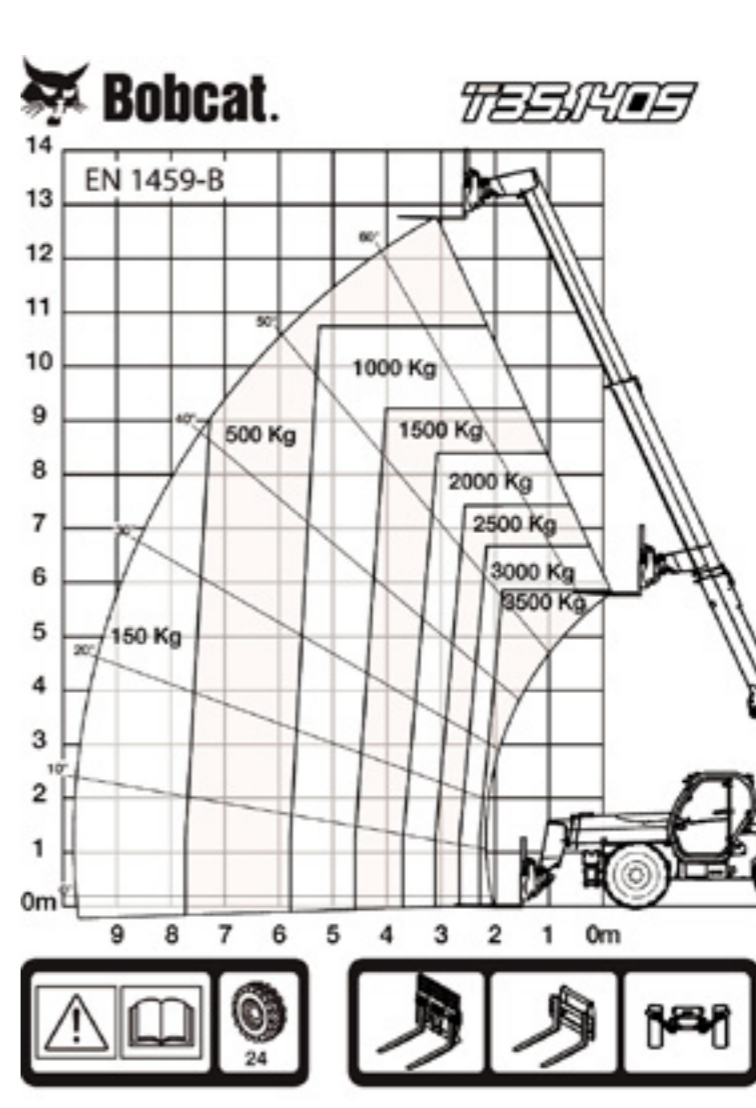
Rated capacity	3500 kg
Lifting height - tyres 24" Rim OD	12794 mm (65°)
Lifting height - stab 24" Rim OD	13656 mm
Max. reach - tyres 24" Rim OD	9449 mm

#### Load Charts

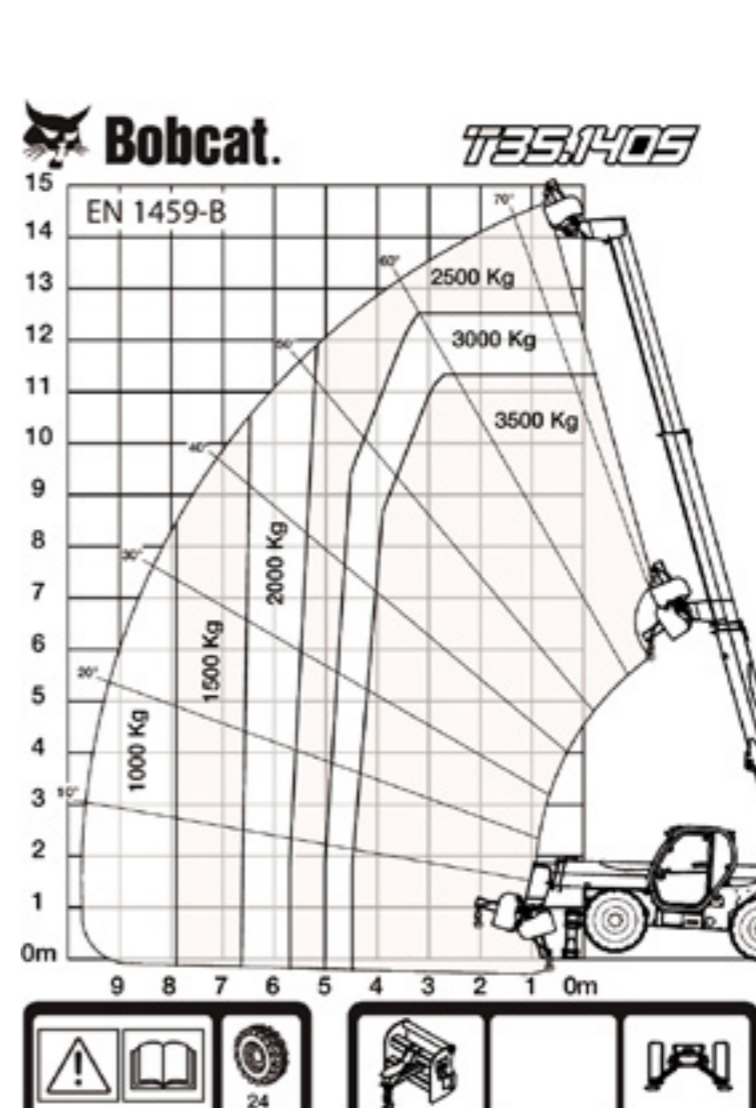
With forks and standard 400/80x24 tyres, on stabilisers



With forks and standard 400/80x24 tyres



With jib on 20 or 24 inch tyres, on stabilisers



#### Weights

Total Operating Weight 20" Rim OD	N/A
-----------------------------------	-----

#### Engine

Make / Model	PERKINS / 1104D-44TA
Fuel	DIESEL
Cooling	WATER
Rated power (ISO 14396)	74.5 kW - 100HP @ 2200rpm
Maximum torque	410 Nm @ 1400rpm
Number of cylinders	4
Displacement	4.4 L

#### Hydraulic System

Work Pump type	Gear pump with LS valve
Work Pump capacity	100 l/min
Relief valve pressure setting	255 bar

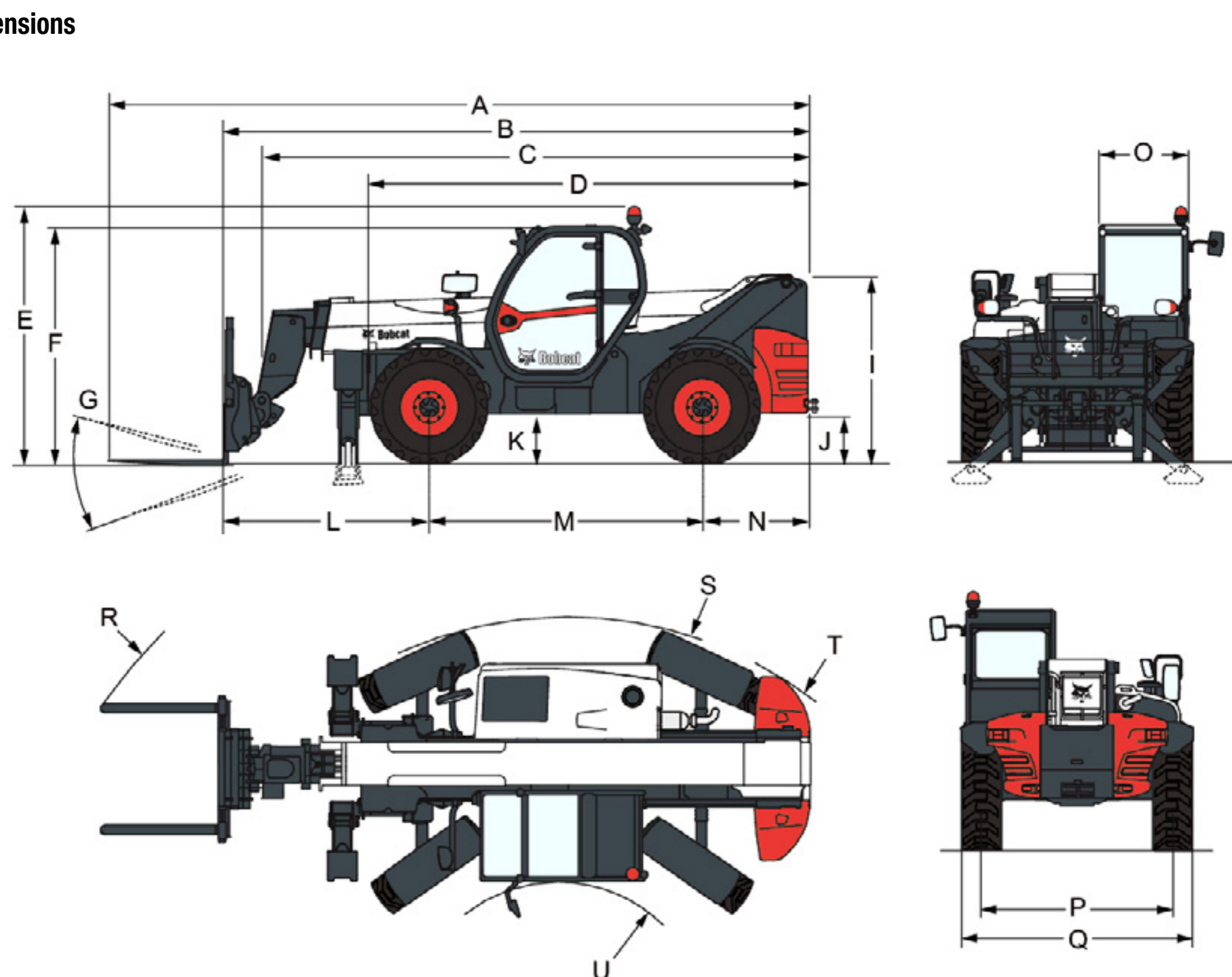
#### Drive System

Transmission	Hydrostatic with electronic regulation
Main Drive	Hydrostatic motor

#### Brakes

Engine Braking	Hydrostatic
Automatic Parking and Emergency brake	Passive brake

#### Dimensions



Overall length (to forks tip)	7313 mm
Overall length (to forks face)	6108 mm
Overall length (to carrier pin)	5709 mm
Overall length (to front tyres)	N/A
Overall length (to front tyres)	4573 mm
Overall height std cab (with rotating beacon)	N/A
Overall height std cab (with rotating beacon)	2673 mm
Overall height high cab (with rotating beacon)	N/A
Overall height high cab (with rotating beacon)	N/A
Overall height std cab	N/A
Overall height std cab	2480 mm
Overall height high cab	N/A
Overall height high cab	N/A
Height back of the machine	N/A
Height back of the machine	1956 mm
Ground clearance	N/A
Ground clearance	509 mm
Length - Front axle to forks face	2151 mm
Wheelbase	2850 mm
Length - Rear axle to machine rear	1107 mm
Operator cab outside width	930 mm
Operator cab inside width	857 mm
Track width (front & rear)	1992 mm
Width over standard tyres	2418 mm
External turning radius (at tyres)	N/A
External turning radius (at tyres)	4150 mm
Internal turning radius (cab)	N/A
Internal turning radius (cab)	1519 mm
Internal turning radius (engine basket)	N/A
Internal turning radius (engine basket)	1614 mm
External turning radius (with forks spaced 1040 mm ext.)	N/A
External turning radius (with forks spaced 1040 mm ext.)	5640 mm
External turning radius (with forks spaced 1360 mm ext.)	-
External turning radius (with forks spaced 1360 mm ext.)	-
External turning radius (dig bucket)	N/A
External turning radius (dig bucket)	5902 mm
Carriage rotation angle	124 deg