

Specifications & Options

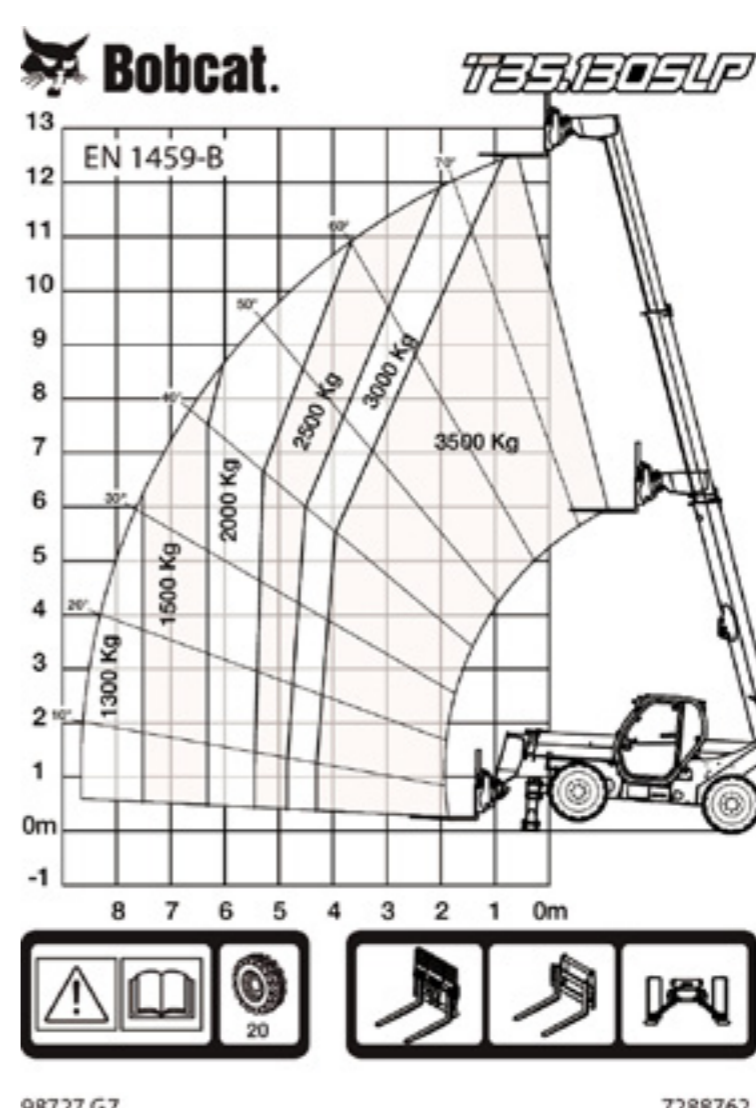
Bobcat T35.130SLP T3

Performance

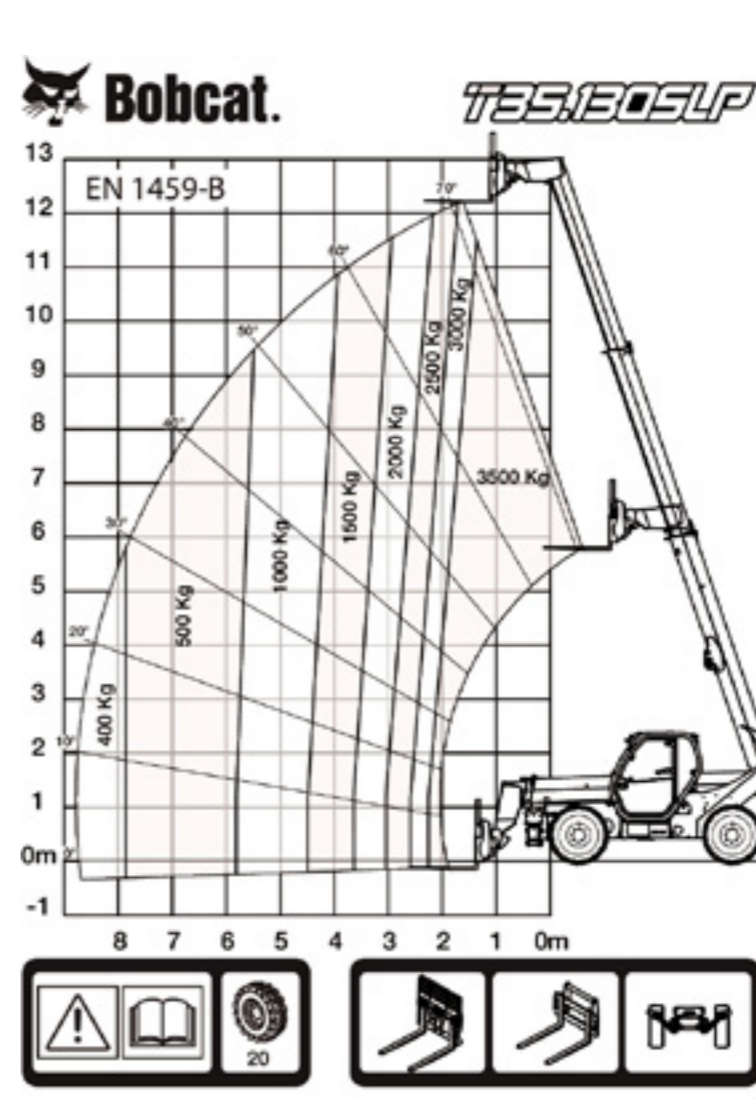
Rated capacity	3500 kg
Lifting height - tyres 24" Rim OD	12326 mm
Lifting height - stab 24" Rim OD	12552 mm
Max. reach - tyres 24" Rim OD	8690 mm

Load Charts

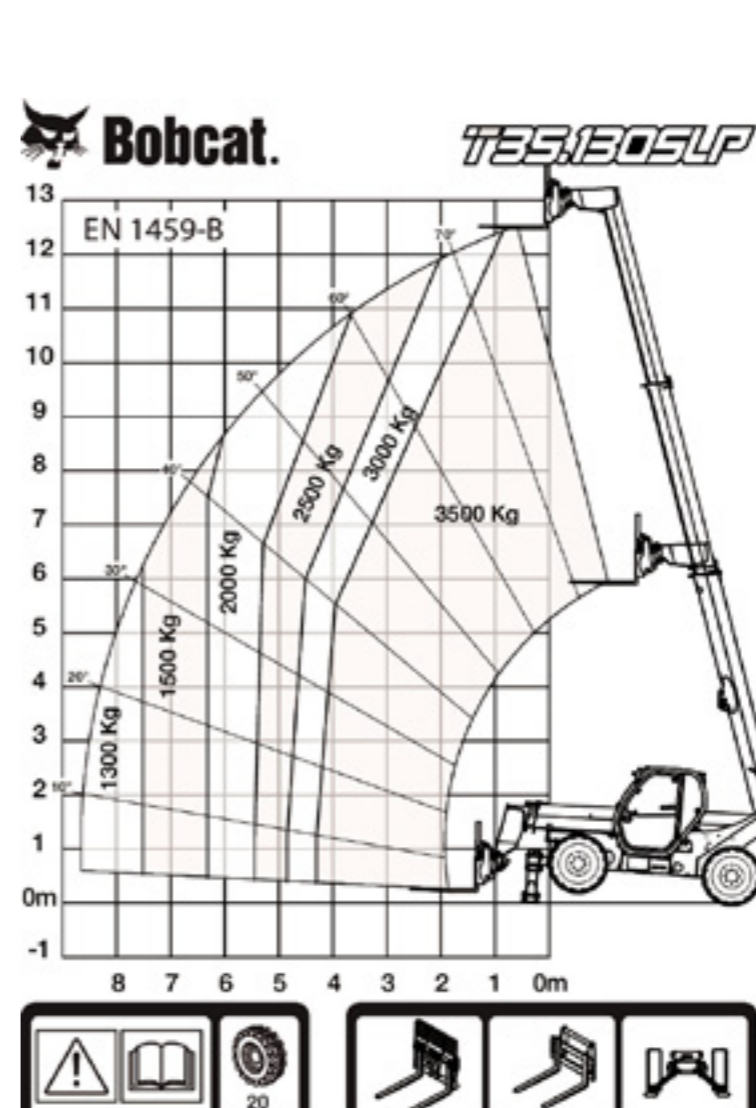
With forks and standard 405/70x20 tyres, on stabilizers



With forks and standard 405/70x20 tyres



With forks and optional 400/80x24 tyres, on stabilisers



Weights

Total Operating Weight 20" Rim OD	8810 kg
-----------------------------------	---------

Engine

Make / Model	PERKINS / 1104D-44TA
Fuel	DIESEL
Cooling	WATER
Rated power (ISO 14396)	74.5 kW - 100HP @ 2200rpm
Maximum torque	410 Nm @ 1400rpm
Number of cylinders	4
Displacement	4.4 L

Hydraulic System

Work Pump type	Gear pump with LS valve
Work Pump capacity	100 l/min
Relief valve pressure setting	255 bar

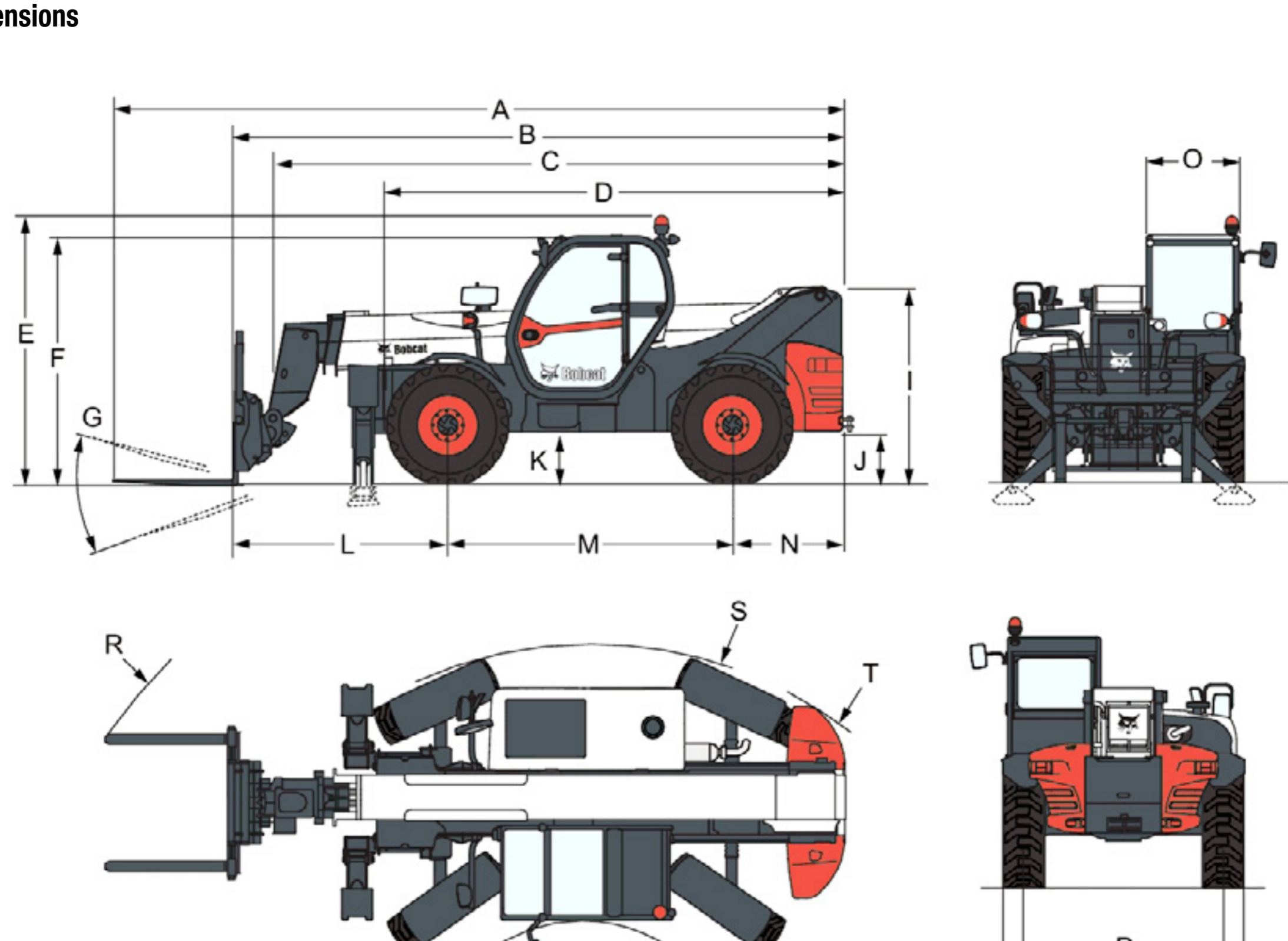
Drive System

Transmission	Hydrostatic with electronic regulation
Main Drive	Hydrostatic motor

Brakes

Engine Braking	Hydrostatic
Automatic Parking and Emergency brake	Passive brake

Dimensions



Overall length (to forks tip)	7081 mm
Overall length (to forks face)	5876 mm
Overall length (to carrier pin)	5541 mm
Overall length (to front tyres)	4497 mm
Overall length (to front tyres)	4573 mm
Overall height std cab (with rotating beacon)	2586 mm
Overall height std cab (with rotating beacon)	2673 mm
Overall height high cab (with rotating beacon)	N/A
Overall height high cab (with rotating beacon)	N/A
Overall height std cab	2393 mm
Overall height std cab	2480 mm
Overall height high cab	N/A
Overall height high cab	N/A
Height back of the machine	1869 mm
Height back of the machine	1956 mm
Ground clearance	422 mm
Ground clearance	509 mm
Length - Front axle to forks face	1919 mm
Wheelbase	2850 mm
Length - Rear axle to machine rear	1107 mm
Operator cab outside width	930 mm
Operator cab inside width	857 mm
Track width (front & rear)	1992 mm
Width over standard tyres	2418 mm
External turning radius (at tyres)	4150 mm
External turning radius (at tyres)	4150 mm
Internal turning radius (cab)	1519 mm
Internal turning radius (cab)	1519 mm
Internal turning radius (engine basket)	1614 mm
Internal turning radius (engine basket)	1614 mm
External turning radius (with forks spaced 1040 mm ext.)	5696 mm
External turning radius (with forks spaced 1040 mm ext.)	5696 mm
External turning radius (with forks spaced 1360 mm ext.)	-
External turning radius (with forks spaced 1360 mm ext.)	-
External turning radius (dig bucket)	5583 mm
External turning radius (dig bucket)	5583 mm
Carriage rotation angle	124 deg