

Specifications & Options

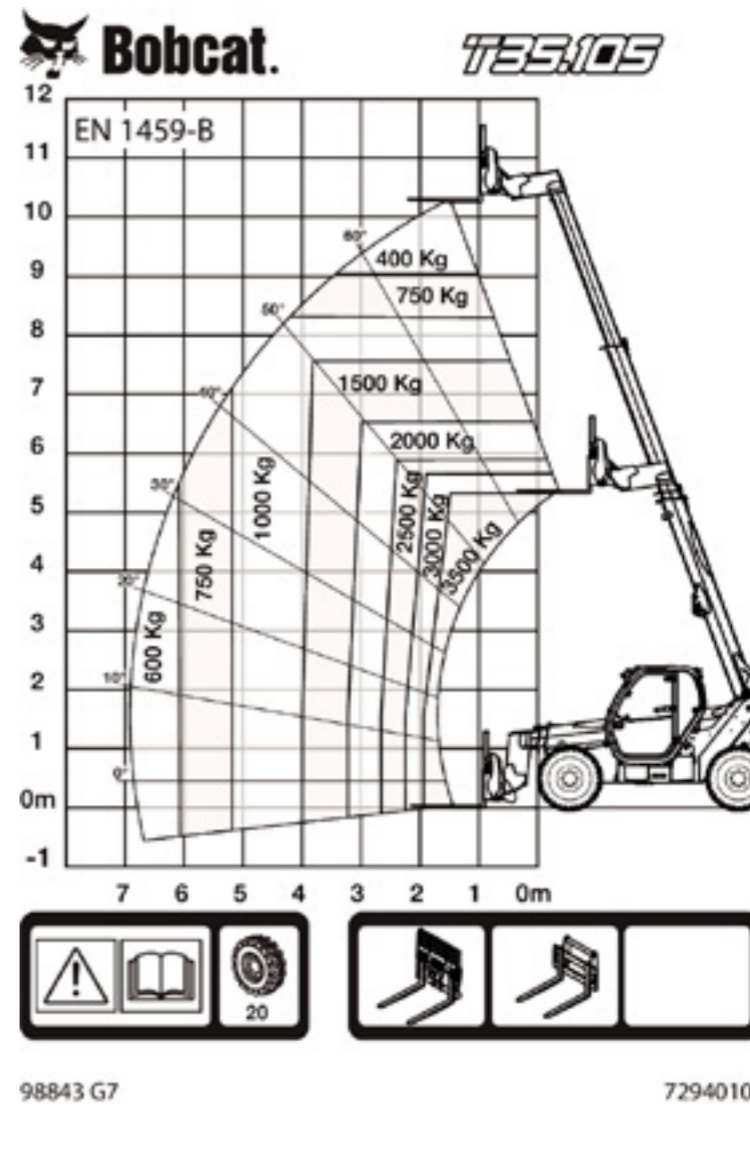
Bobcat T35.105 T3

Performance

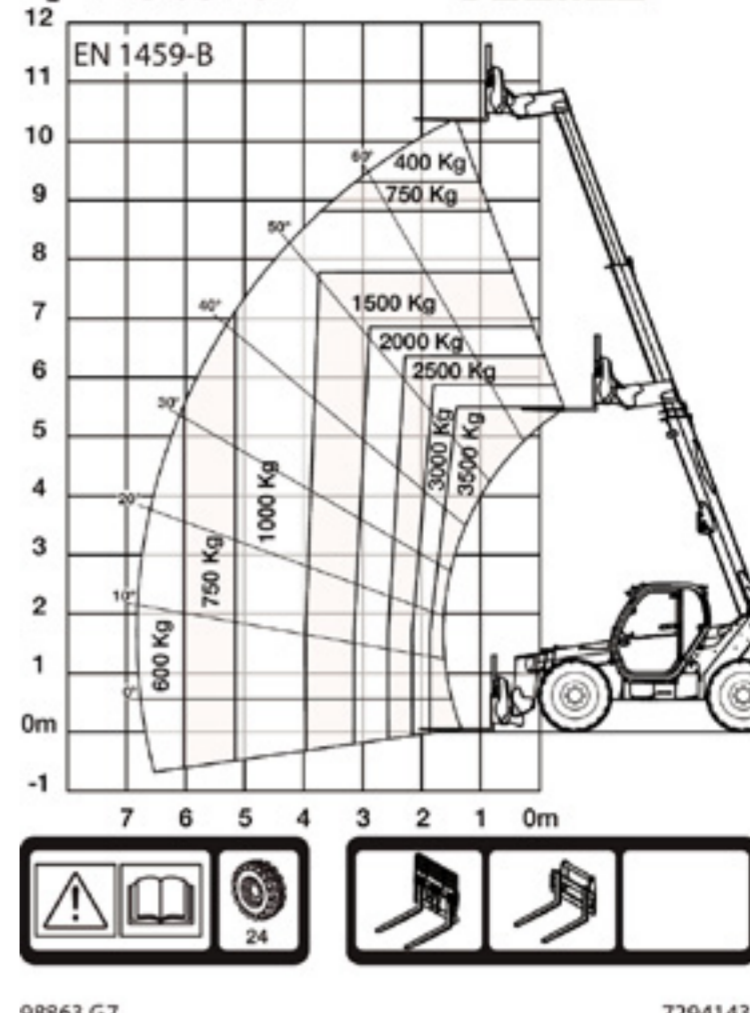
Rated capacity	3500 kg
Lifting height - tyres 24" Rim OD	10375 mm
Lifting height - stab 24" Rim OD	N/A
Max. reach - tyres 24" Rim OD	6795 mm

Load Charts

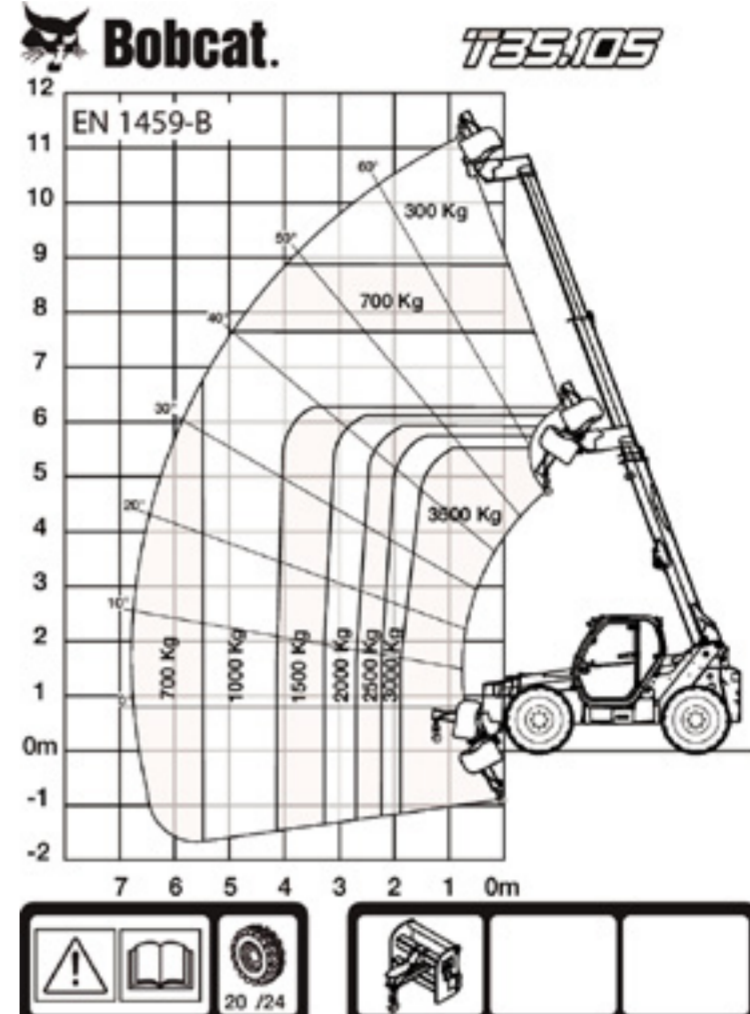
With forks and standard 405/70x20 tyres



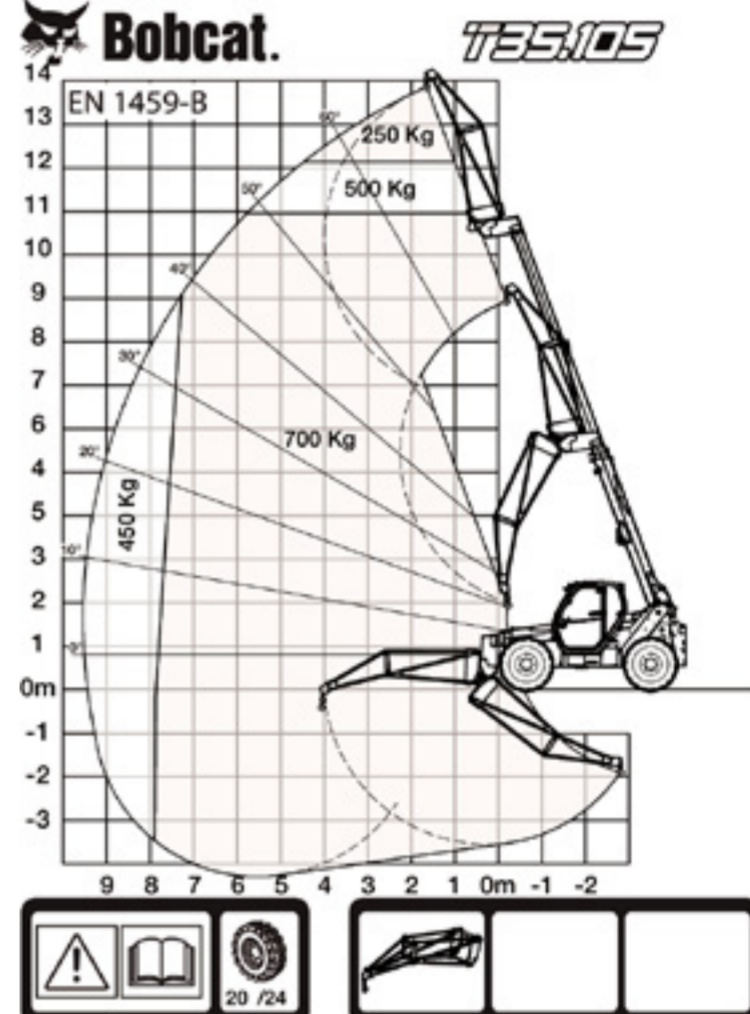
With forks and optional 400/80x24 tyres



With jib on 20 or 24 inch tyres



With extension jib on 20 or 24 inch tyres



Weights

Total Operating Weight 20" Rim OD	7340 kg
-----------------------------------	---------

Engine

Make / Model	PERKINS / 1104D-44TA
Fuel	DIESEL
Cooling	WATER
Rated power (ISO 14396)	74.5 kW - 100HP @ 2200rpm
Maximum torque	410 Nm @ 1400rpm
Number of cylinders	4
Displacement	4.4 L

Hydraulic System

Work Pump type	Gear pump with LS valve
Work Pump capacity	100 l/min
Relief valve pressure setting	255 bar

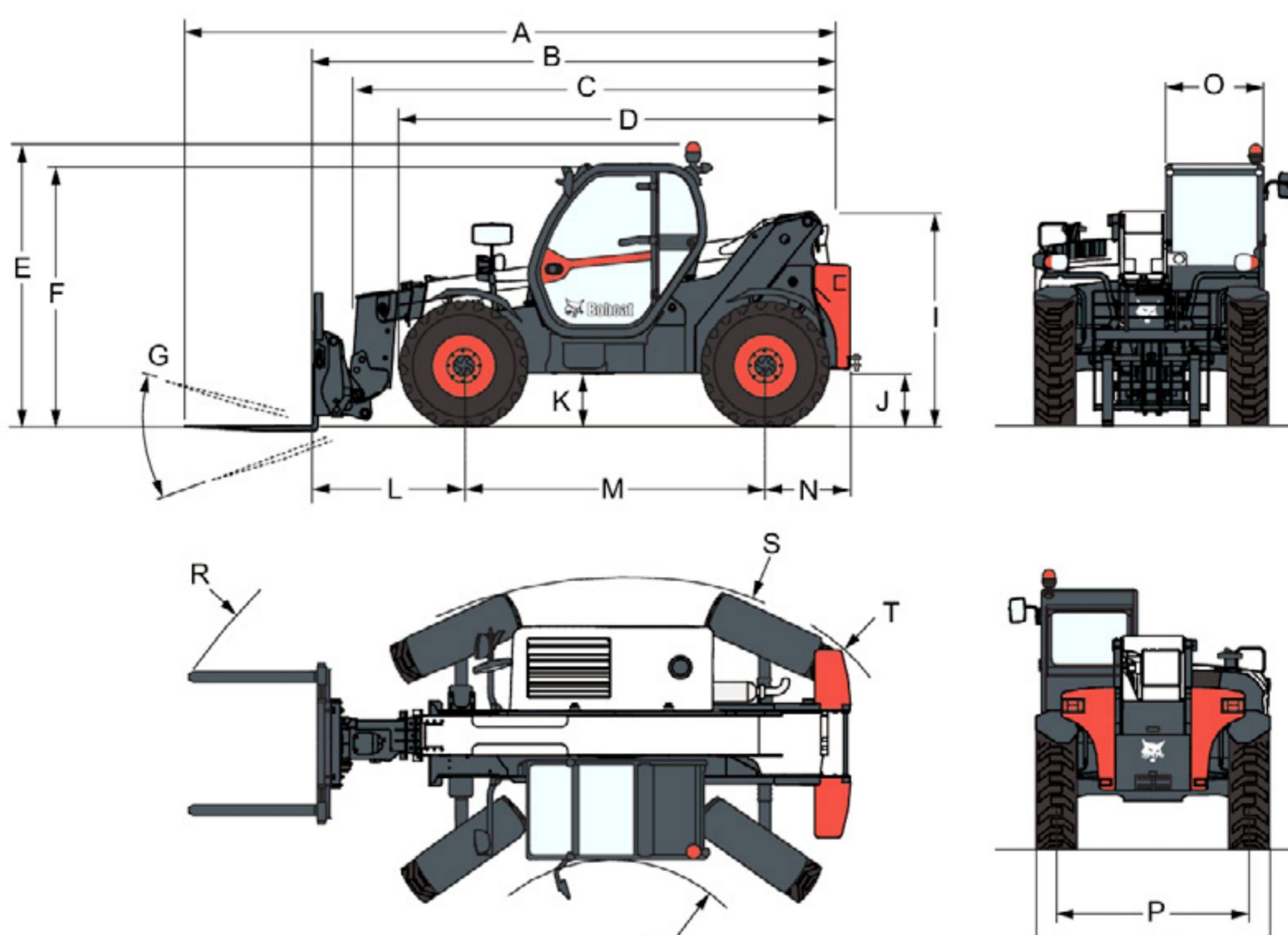
Drive System

Transmission	Hydrostatic with electronic regulation
Main Drive	Hydrostatic motor

Brakes

Engine Braking	Hydrostatic
Automatic Parking and Emergency brake	Passive brake

Dimensions



Overall length (to forks tip)	6276 mm
Overall length (to forks face)	5071 mm
Overall length (to carrier pin)	4936 mm
Overall length (to front tyres)	4192 mm
Overall length (to front tyres)	4283 mm
Overall height std cab (with rotating beacon)	2584 mm
Overall height std cab (with rotating beacon)	2669 mm
Overall height high cab (with rotating beacon)	N/A
Overall height high cab (with rotating beacon)	N/A
Overall height std cab	2389 mm
Overall height std cab	2474 mm
Overall height high cab	N/A
Overall height high cab	N/A
Height back of the machine	1941 mm
Height back of the machine	2026 mm
Ground clearance	415 mm
Ground clearance	500 mm
Length - Front axle to forks face	1422 mm
Wheelbase	2850 mm
Length - Rear axle to machine rear	799 mm
Operator cab outside width	930 mm
Operator cab inside width	857 mm
Track width (front & rear)	1862 mm
Width over standard tyres	2264 mm
External turning radius (at tyres)	3765 mm
External turning radius (at tyres)	3765 mm
Internal turning radius (cab)	1245 mm
Internal turning radius (cab)	1245 mm
Internal turning radius (engine basket)	1258 mm
Internal turning radius (engine basket)	1258 mm
External turning radius (with forks spaced 1040 mm ext.)	5025 mm
External turning radius (with forks spaced 1040 mm ext.)	5025 mm
External turning radius (with forks spaced 1360 mm ext.)	5116 mm
External turning radius (with forks spaced 1360 mm ext.)	5116 mm
External turning radius (dig bucket)	4987 mm
External turning radius (dig bucket)	4987 mm
Carriage rotation angle	143 deg