

Specifications & Options

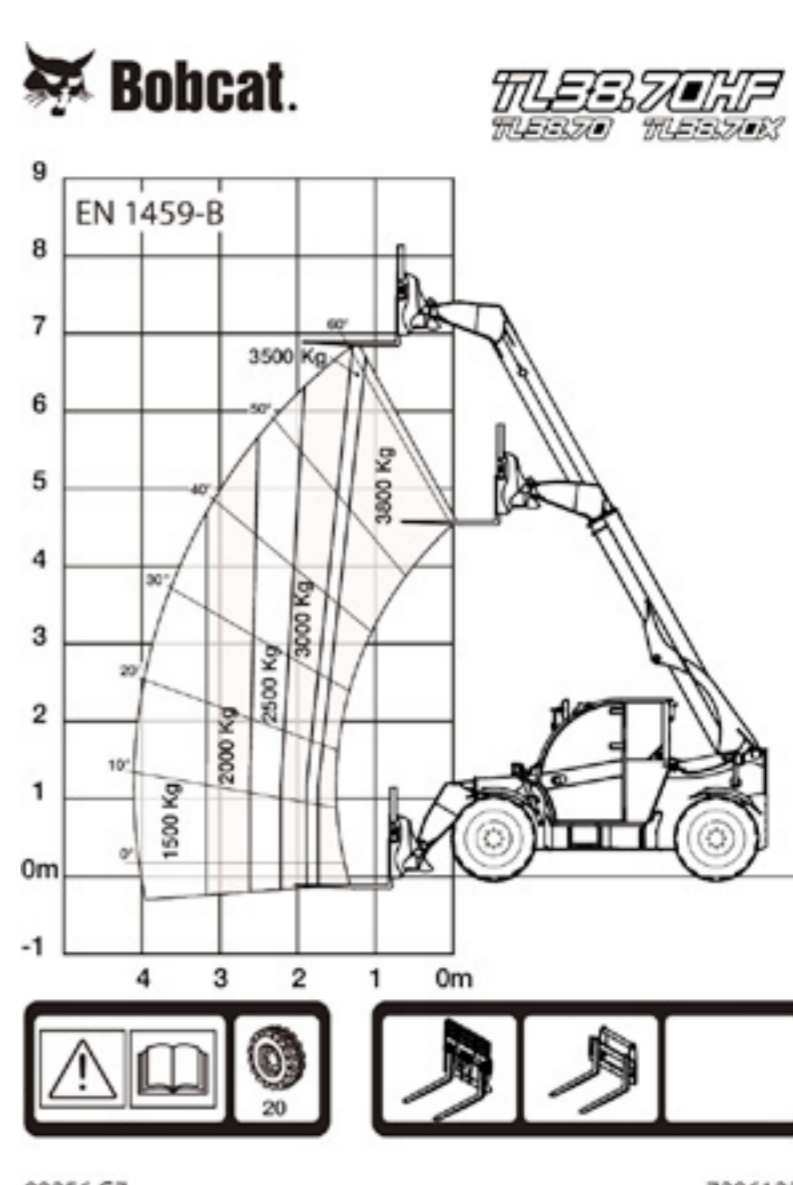
Bobcat TL38.70HF T3

Performance

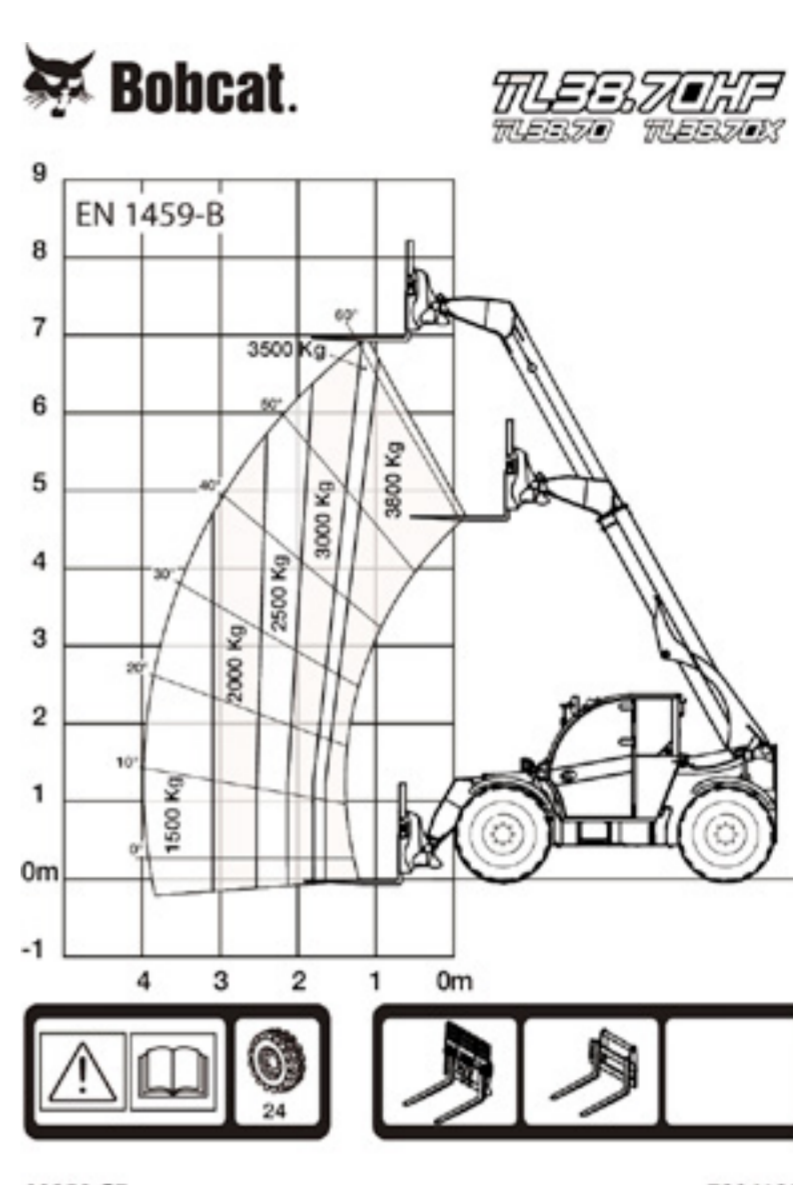
Rated capacity	3800 kg
Lifting height - tyres 24" Rim OD	6973 mm
Lifting height - stab 24" Rim OD	N/A
Max. reach - tyres 24" Rim OD	4002 mm

Load Charts

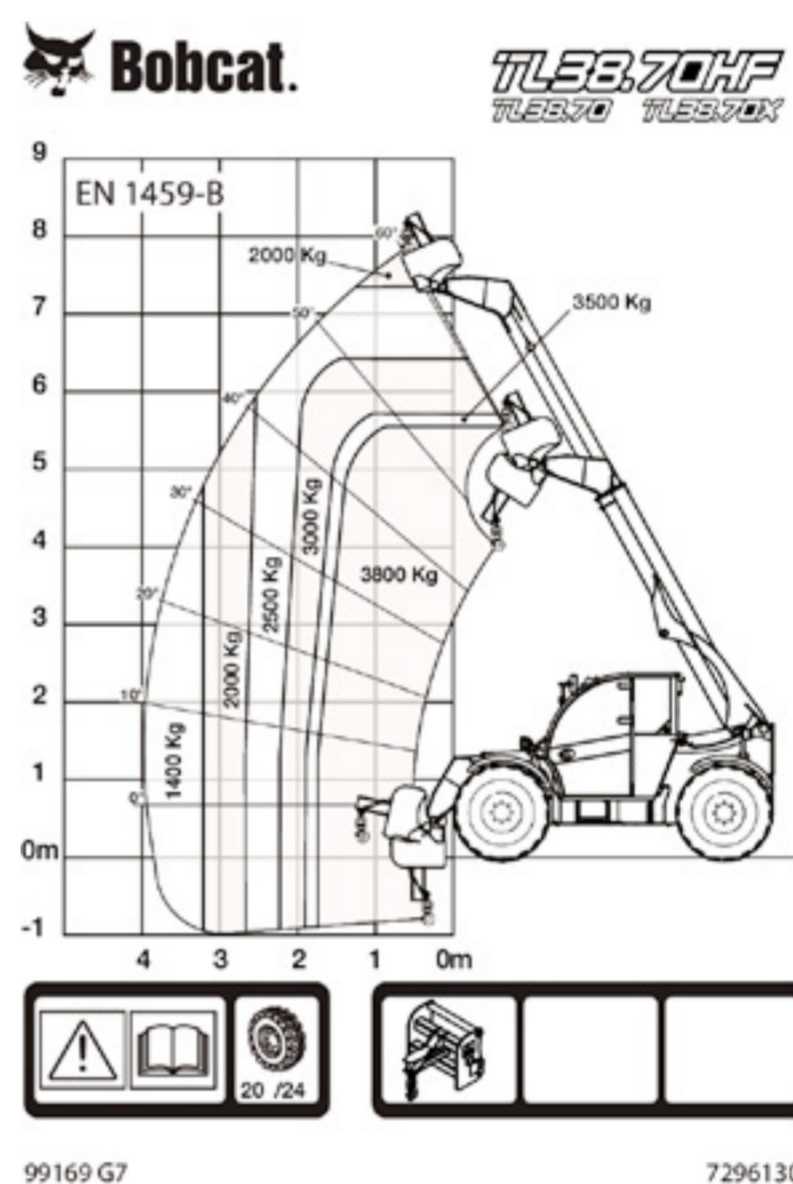
With forks on 20 inch tyres



With forks on 24 inch tyres



With jib on 20 or 24 inch tyres



Weights

Total Operating Weight 20" Rim OD	7320 kg
-----------------------------------	---------

Engine

Make / Model	PERKINS / 1104D-E44TA
Fuel	DIESEL
Cooling	WATER
Rated power (ISO 14396)	96.5 kW - 130HP @ 2200rpm
Maximum torque	516 Nm @ 1400rpm
Number of cylinders	4
Displacement	4.4 L

Hydraulic System

Work Pump type	LS piston pump
Work Pump capacity	190 l/min
Relief valve pressure setting	255 bar

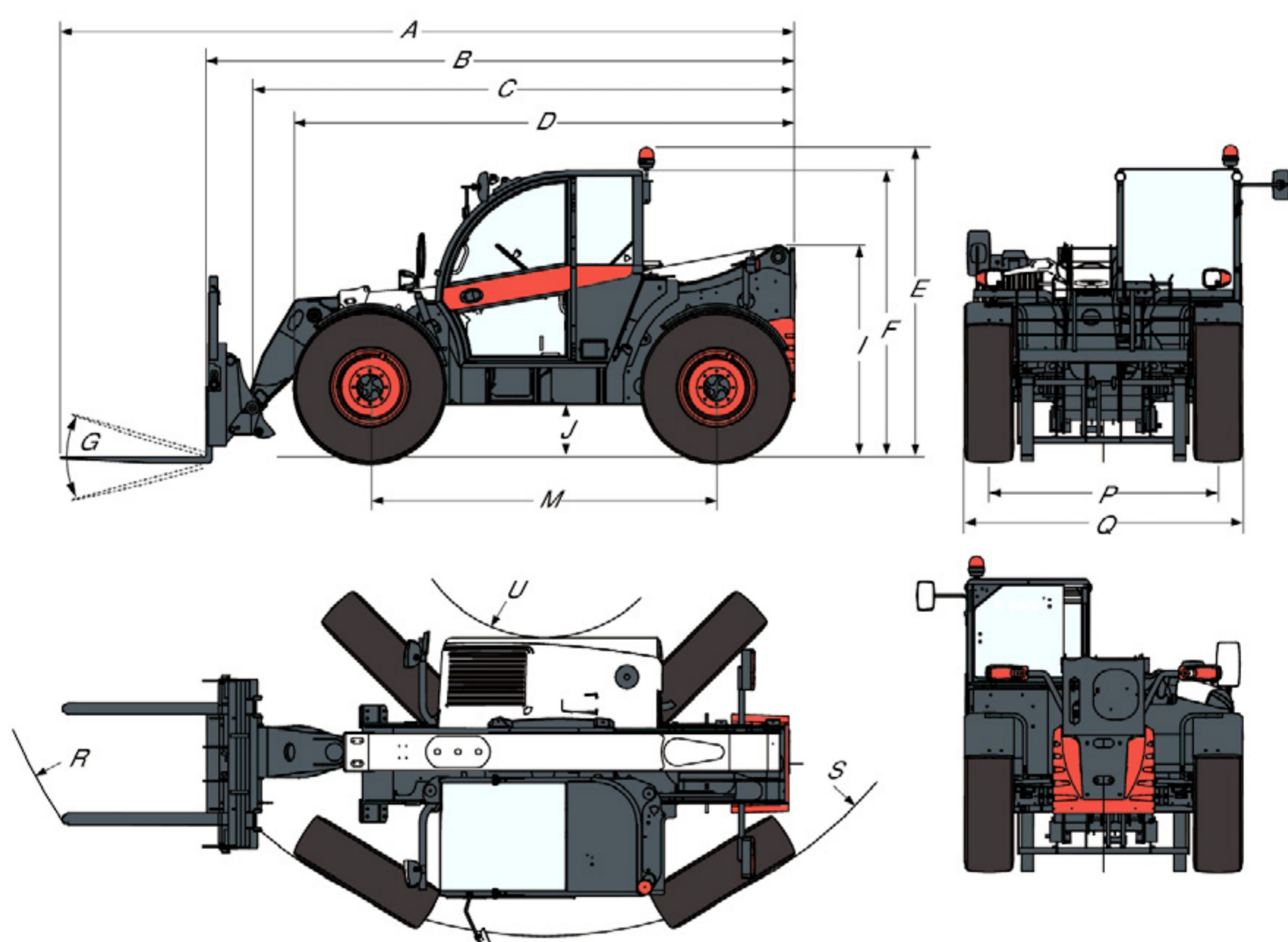
Drive System

Transmission	Hydrostatic with electronic regulation
Main Drive	Hydrostatic motor + 2 speed gearbox

Brakes

Engine Braking	Hydrostatic
Automatic Parking and Emergency brake	Passive brake

Dimensions



Overall length (to forks tip)	6074 mm
Overall length (to forks face)	4869 mm
Overall length (to carrier pin)	4763 mm
Overall length (to front tyres)	4058 mm
Overall length (to front tyres)	4145 mm
Overall height std cab (with rotating beacon)	2477 mm
Overall height std cab (with rotating beacon)	2561 mm
Overall height high cab (with rotating beacon)	N/A
Overall height high cab (with rotating beacon)	N/A
Overall height std cab	2290 mm
Overall height std cab	2374 mm
Overall height high cab	N/A
Overall height high cab	N/A
Height back of the machine	1668 mm
Height back of the machine	1752 mm
Ground clearance	346 mm
Ground clearance	430 mm
Length - Front axle to forks face	1356 mm