

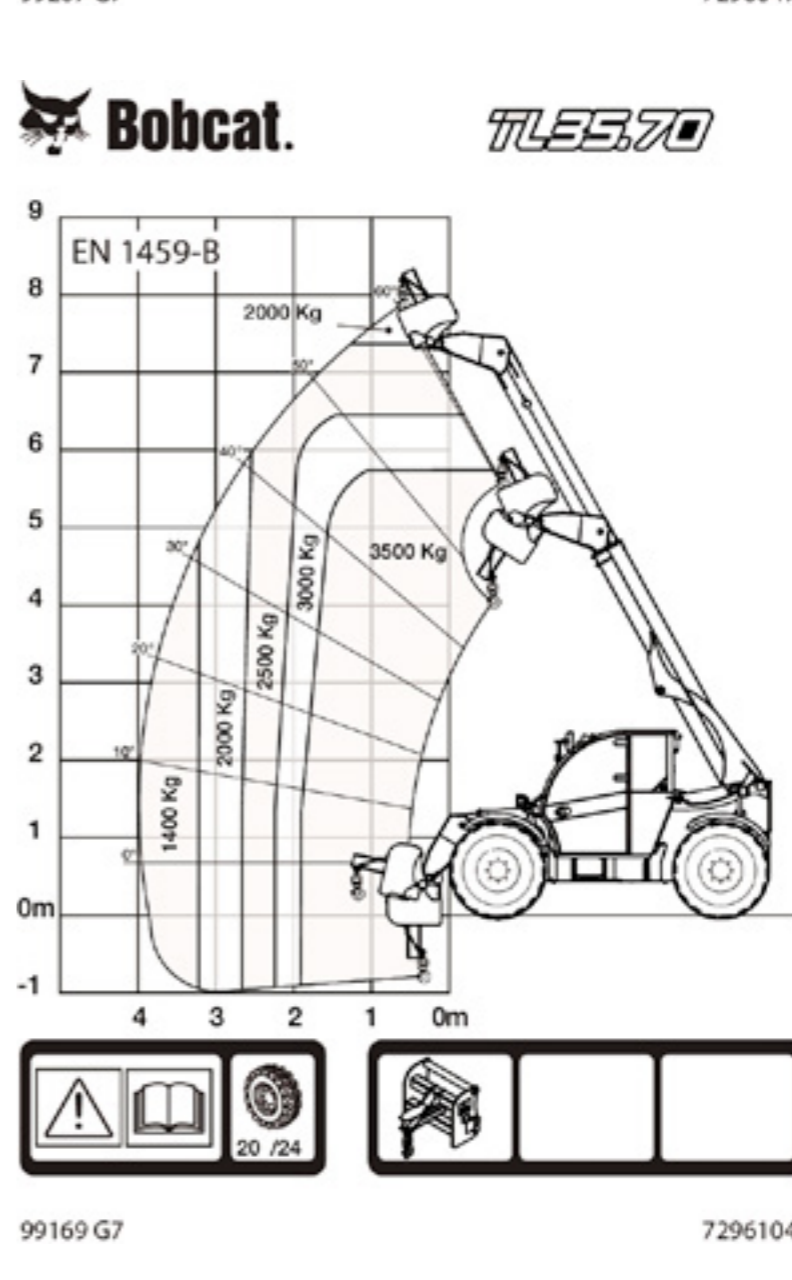
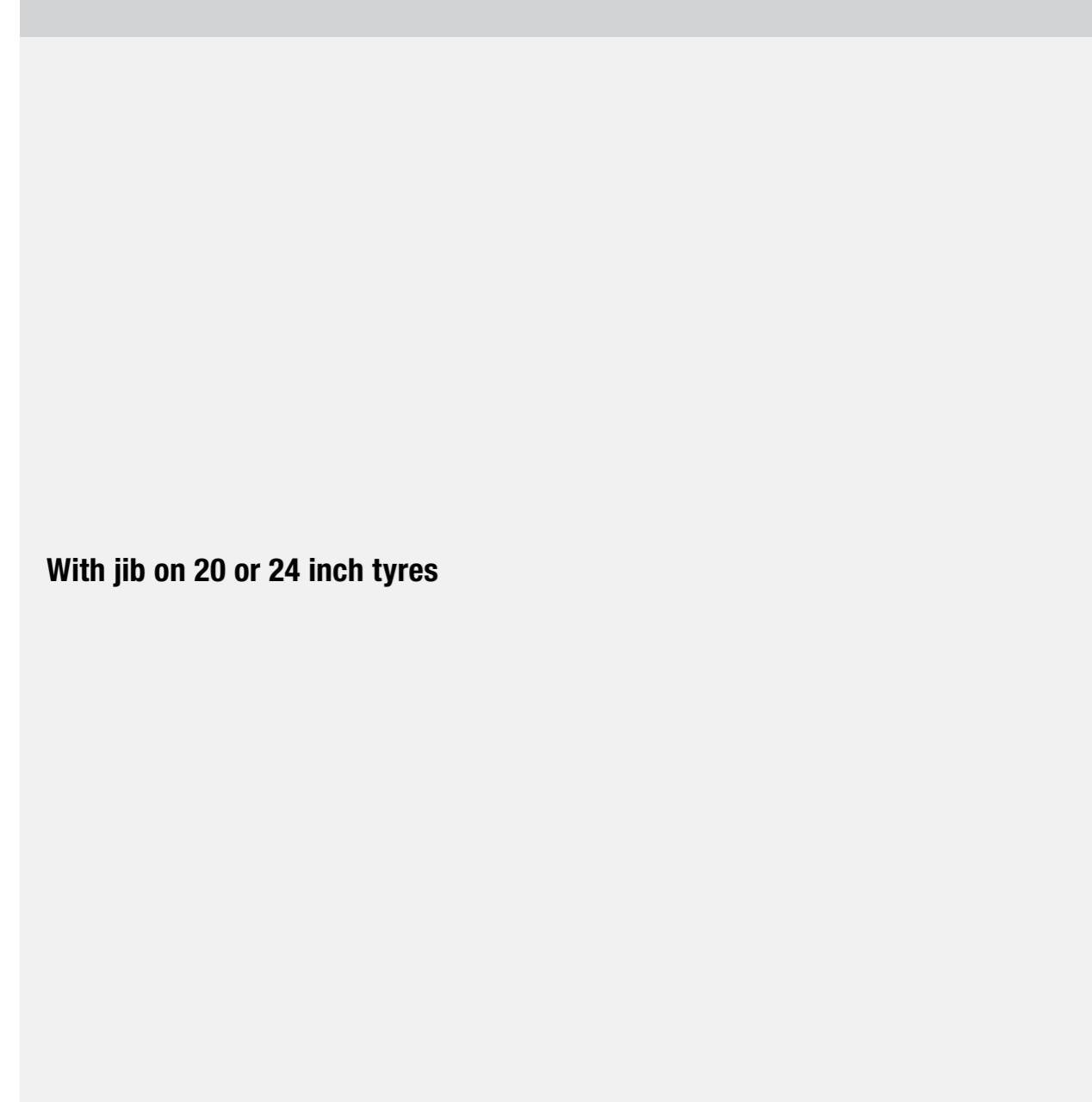
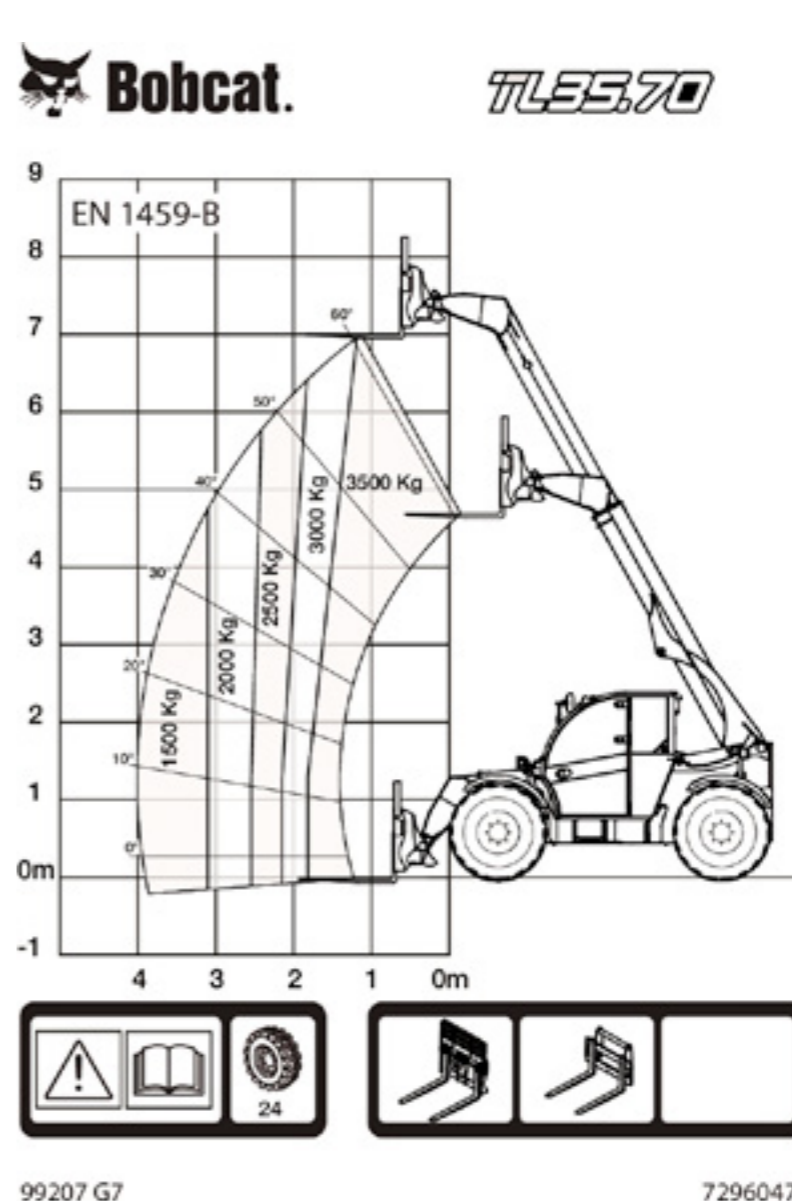
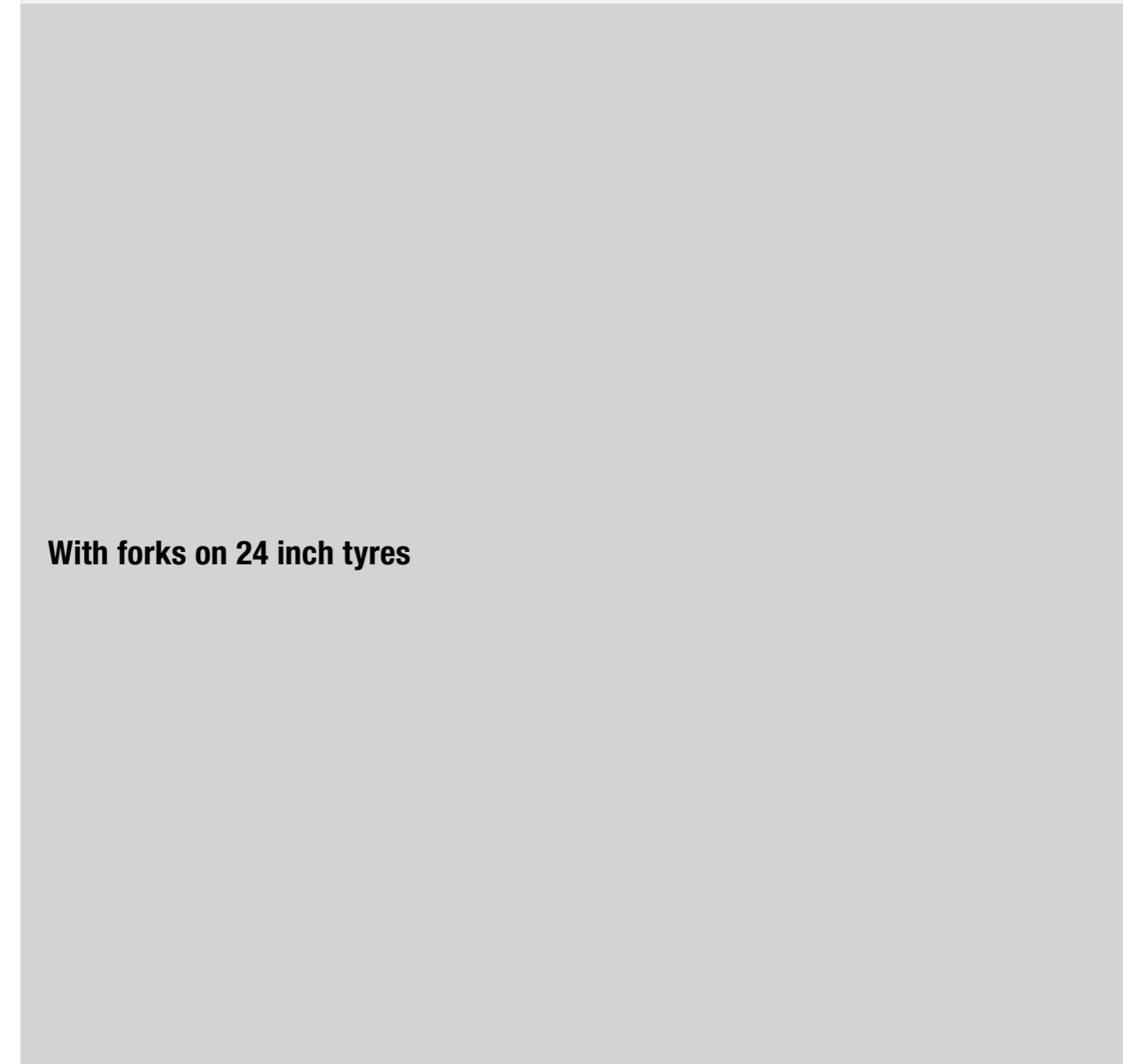
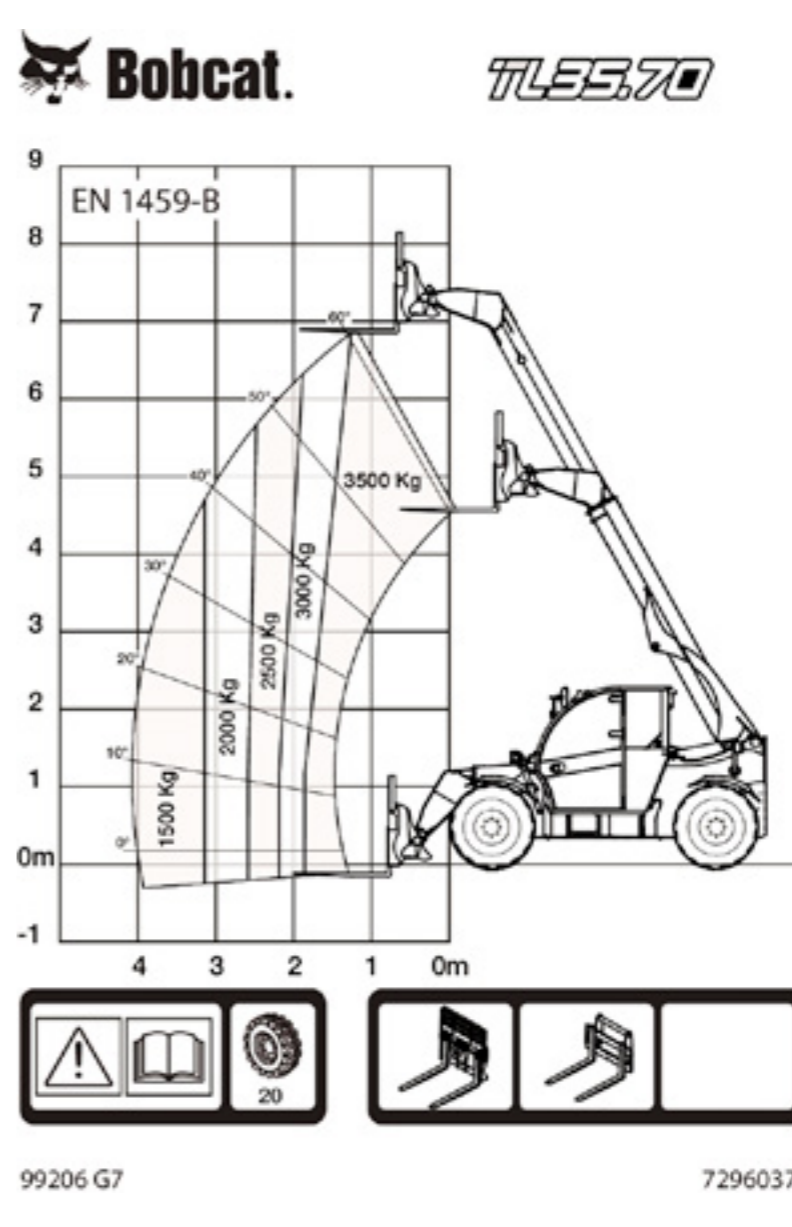
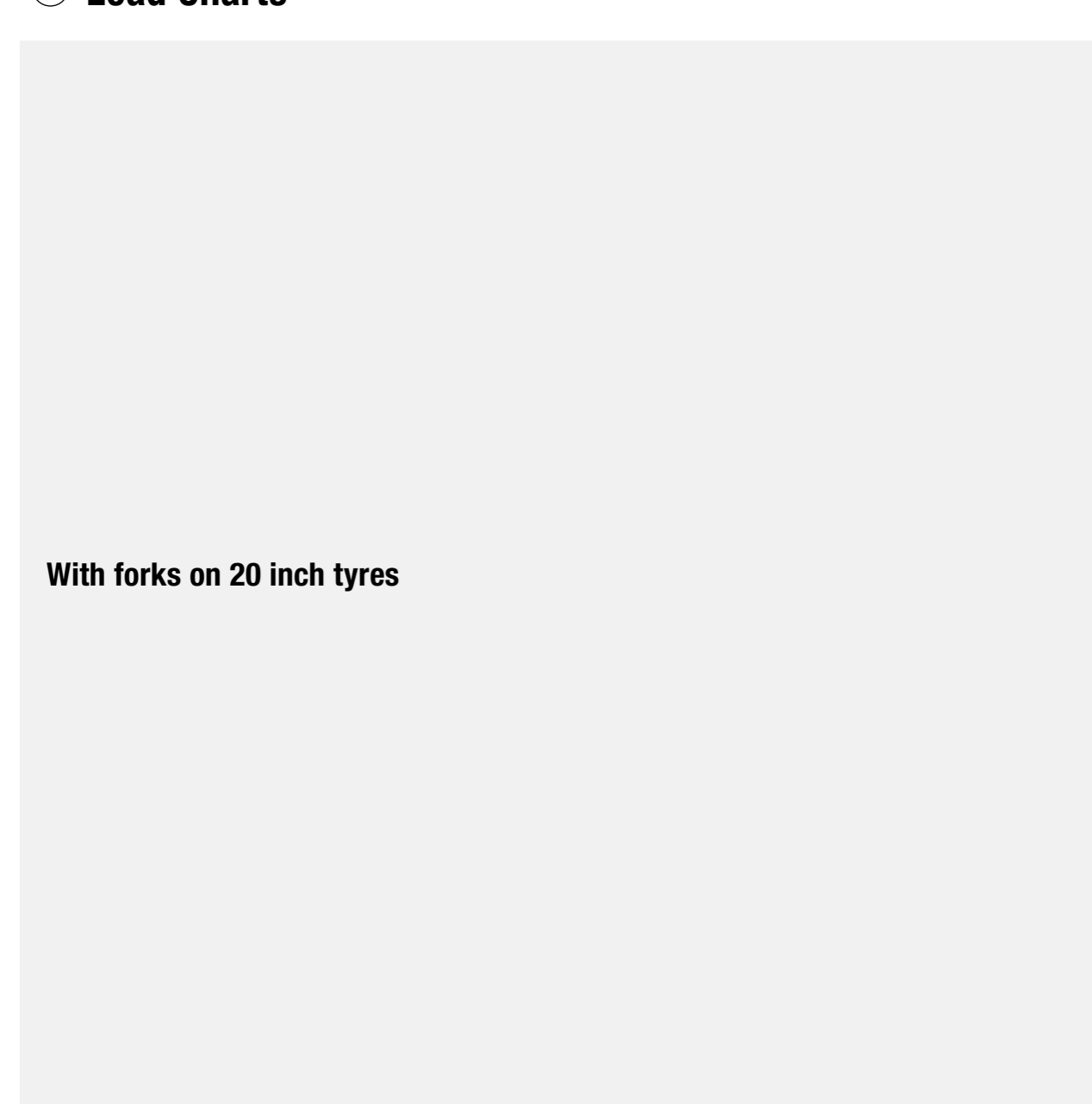
## Specifications & Options

### Bobcat TL35.70 T3

#### Performance

|                                   |         |
|-----------------------------------|---------|
| Rated capacity                    | 3500 kg |
| Lifting height - tyres 24" Rim OD | 6973 mm |
| Lifting height - stab 24" Rim OD  | N/A     |
| Max. reach - tyres 24" Rim OD     | 4002 mm |

#### Load Charts



#### Weights

|                                   |         |
|-----------------------------------|---------|
| Total Operating Weight 20" Rim OD | 7050 kg |
|-----------------------------------|---------|

#### Engine

|                         |                           |
|-------------------------|---------------------------|
| Make / Model            | PERKINS / 1104D-44TA      |
| Fuel                    | DIESEL                    |
| Cooling                 | WATER                     |
| Rated power (ISO 14396) | 74.5 kW - 100HP @ 2200rpm |
| Maximum torque          | 410 Nm @ 1400rpm          |
| Number of cylinders     | 4                         |
| Displacement            | 4.4 L                     |

#### Hydraulic System

|                               |                         |
|-------------------------------|-------------------------|
| Work Pump type                | Gear pump with LS valve |
| Work Pump capacity            | 100 l/min               |
| Relief valve pressure setting | 250 bar                 |

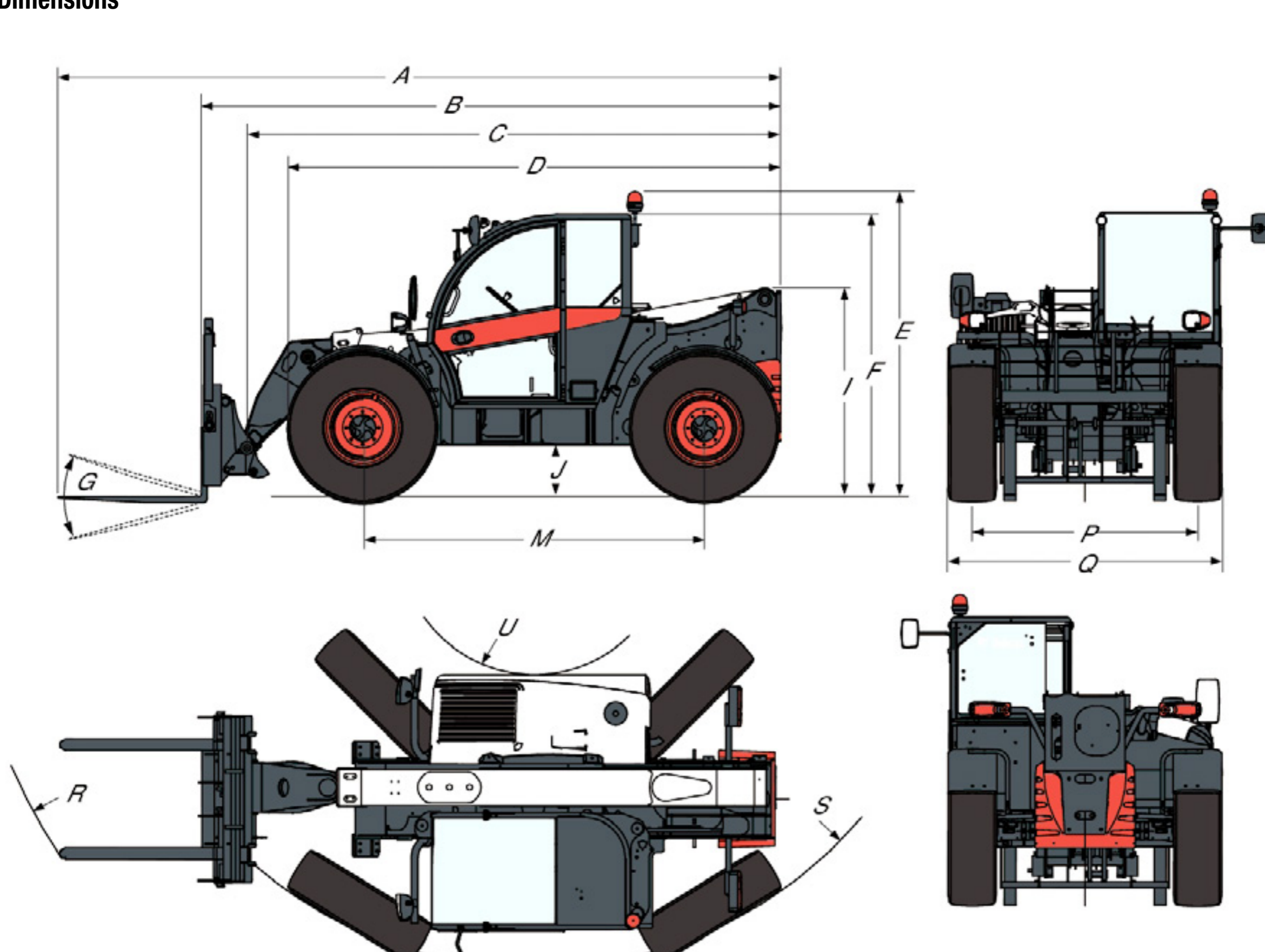
#### Drive System

|              |  |
|--------------|--|
| Transmission | Hydrostatic with electronic regulation |
| Main Drive   | Hydrostatic motor + 2 speed gearbox    |

#### Brakes

|                                       |               |
|---------------------------------------|---------------|
| Engine Braking                        | Hydrostatic   |
| Automatic Parking and Emergency brake | Passive brake |

#### Dimensions



|  |         |
|--|---------|
| Overall length (to forks tip)                            | 6074 mm |
| Overall length (to forks face)                           | 4869 mm |
| Overall length (to carrier pin)                          | 4763 mm |
| Overall length (to front tyres)                          | 4058 mm |
| Overall length (to front tyres)                          | 4145 mm |
| Overall height std cab (with rotating beacon)            | 2477 mm |
| Overall height std cab (with rotating beacon)            | 2561 mm |
| Overall height high cab (with rotating beacon)           | N/A     |
| Overall height high cab (with rotating beacon)           | N/A     |
| Overall height std cab                                   | 2290 mm |
| Overall height std cab                                   | 2374 mm |
| Overall height high cab                                  | N/A     |
| Overall height high cab                                  | N/A     |
| Height back of the machine                               | 1668 mm |
| Height back of the machine                               | 1752 mm |
| Ground clearance   | 346 mm  |
| Ground clearance   | 430 mm  |
| Length - Front axle to forks face                        | 1356 mm |
| Wheelbase  | 2870 mm |
| Length - Rear axle to machine rear                       | 643 mm  |
| Operator cab outside width                               | 1013 mm |
| Operator cab inside width                                | 900 mm  |
| Track width (front & rear)                               | 1895 mm |
| Width over standard tyres                                | 2300 mm |
| External turning radius (at tyres)                       | 3714 mm |
| External turning radius (at tyres)                       | 3714 mm |
| Internal turning radius (cab)                            | 1092 mm |
| Internal turning radius (cab)                            | 1092 mm |
| Internal turning radius (engine basket)                  | 1161 mm |
| Internal turning radius (engine basket)                  | 1161 mm |
| External turning radius (with forks spaced 1040 mm ext.) | 4925 mm |
| External turning radius (with forks spaced 1040 mm ext.) | 4925 mm |
| External turning radius (with forks spaced 1360 mm ext.) | 5015 mm |
| External turning radius (with forks spaced 1360 mm ext.) | 5015 mm |
| External turning radius (dig bucket)                     | 4944 mm |
| External turning radius (dig bucket)                     | 4944 mm |
| Carriage rotation angle                                  | 135 deg |