

Specifications & Options

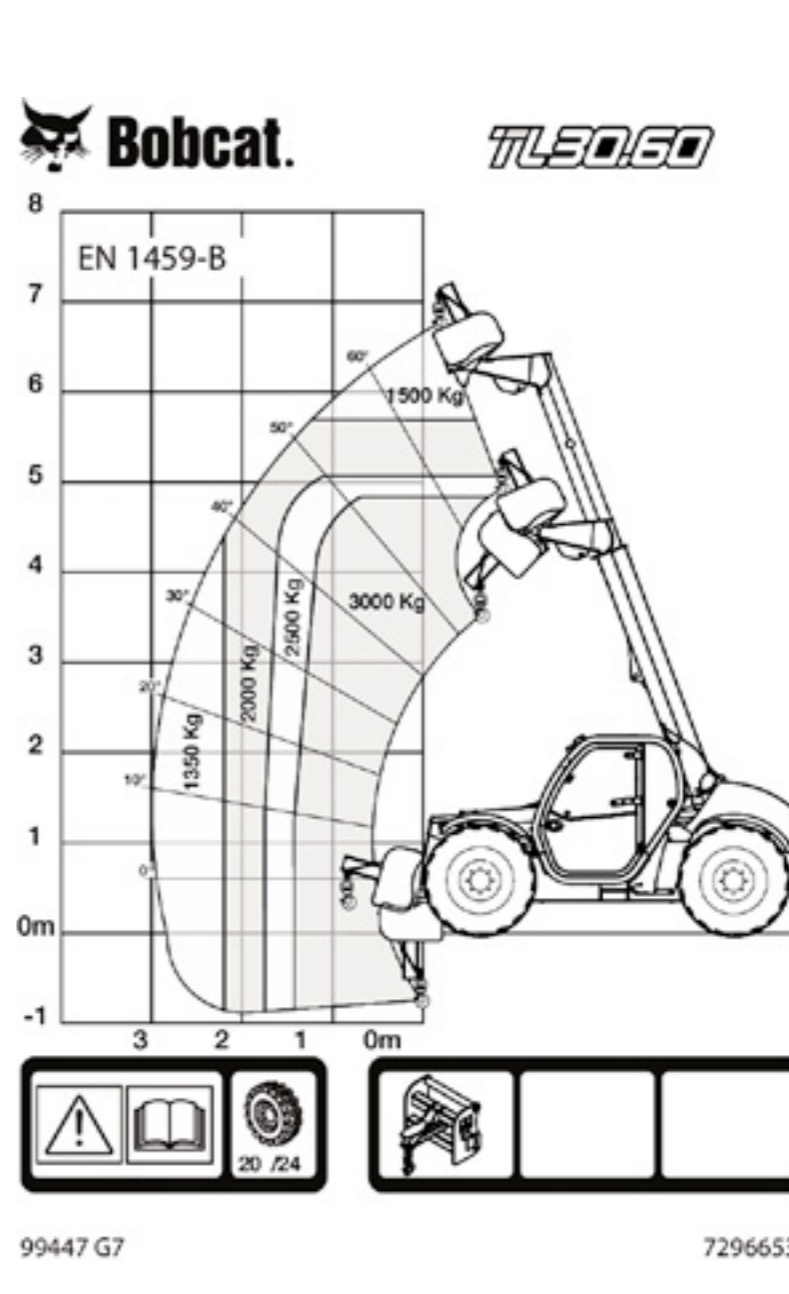
Bobcat TL30.60 T3

Performance

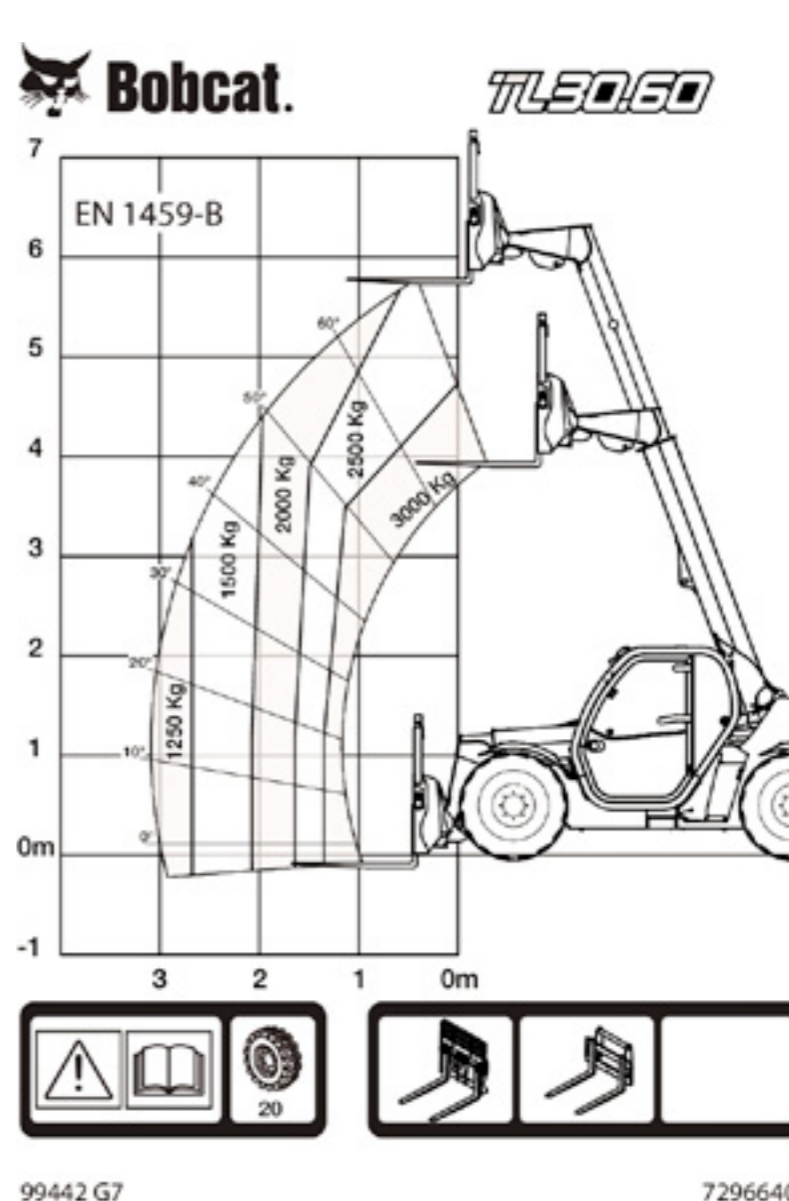
Rated capacity	3000 kg
Lifting height - tyres 24" Rim OD	5890 mm
Lifting height - stab 24" Rim OD	N/A
Max. reach - tyres 24" Rim OD	3010 mm

Load Charts

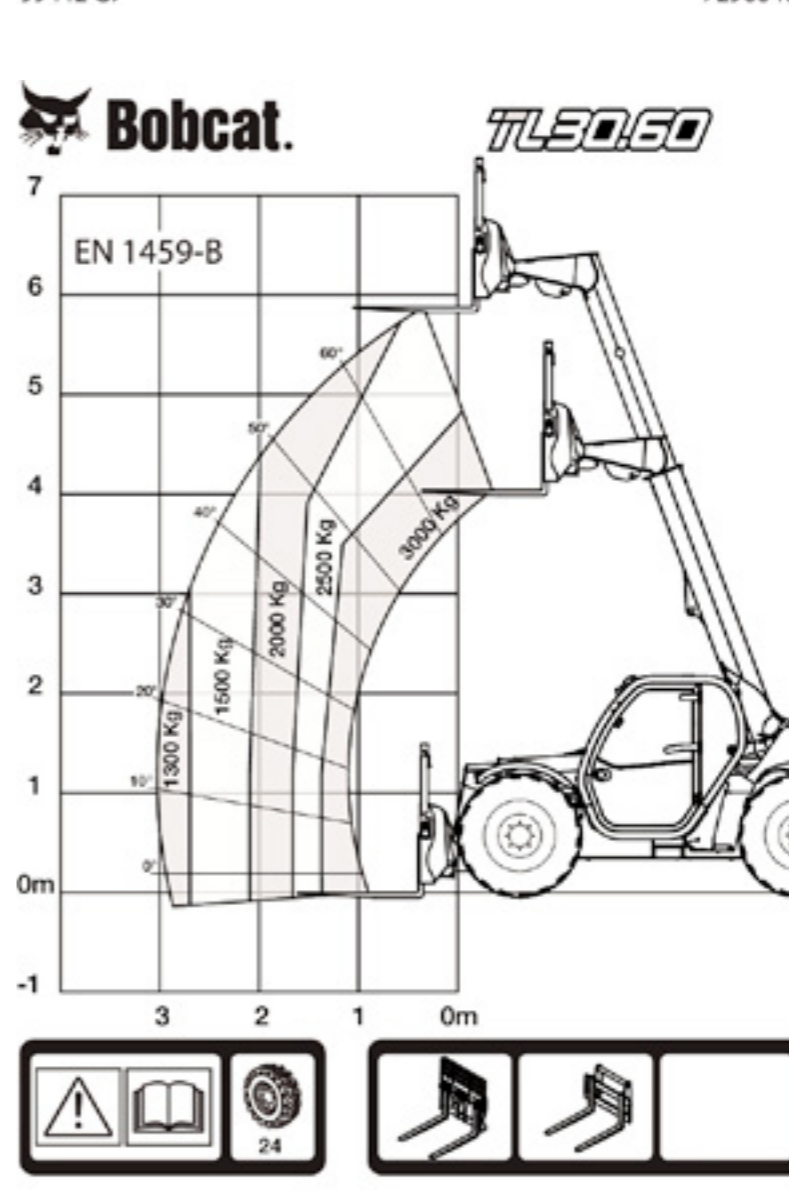
With jib on 20 or 24 inch tyres



With forks and standard 405 70x20 tyres



With forks and standard 400 80x24 tyres



Weights

Total Operating Weight 20" Rim OD	5180 kg
-----------------------------------	---------

Engine

Make / Model	PERKINS / 1104D-44TA
Fuel	DIESEL
Cooling	WATER
Rated power (ISO 14396)	74.5 kW - 100HP @ 2200rpm
Maximum torque	410 Nm @ 1400rpm
Number of cylinders	4
Displacement	4.4 L

Hydraulic System

Work Pump type	Gear pump with LS valve
Work Pump capacity	100 l/min
Relief valve pressure setting	250 bar

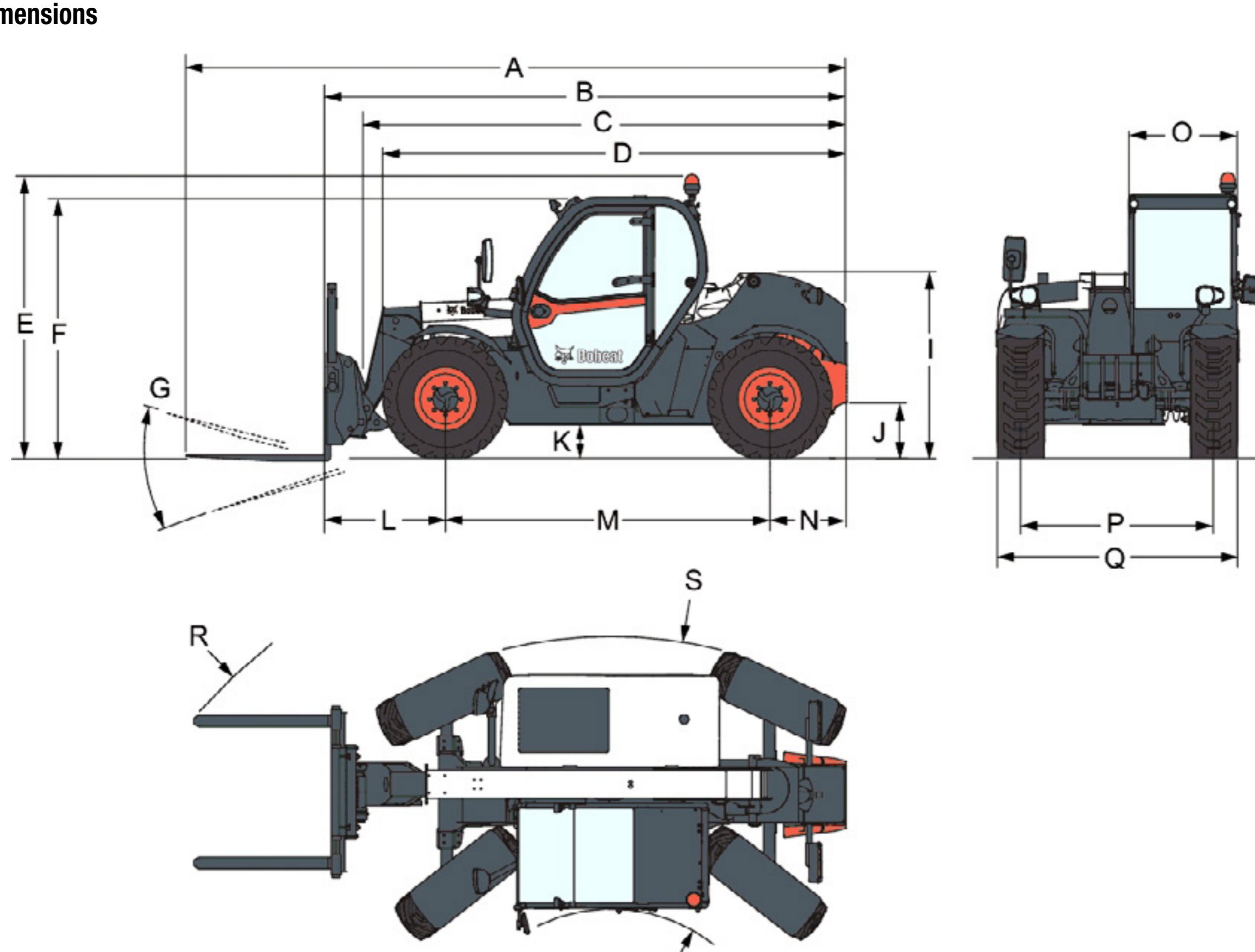
Drive System

Transmission	Hydrostatic with electronic regulation
Main Drive	Hydrostatic motor

Brakes

Engine Braking	Hydrostatic
Automatic Parking and Emergency brake	Passive brake

Dimensions



Overall length (to forks tip)	5712 mm
Overall length (to forks face)	4507 mm
Overall length (to carrier pin)	4400 mm
Overall length (to front tyres)	4035 mm
Overall length (to front tyres)	4123 mm
Overall height std cab (with rotating beacon)	2290 mm
Overall height std cab (with rotating beacon)	2374 mm
Overall height high cab (with rotating beacon)	2440 mm
Overall height high cab (with rotating beacon)	2524 mm
Overall height std cab	2100 mm
Overall height std cab	2184 mm
Overall height high cab	2250 mm
Overall height high cab	2334 mm
Height back of the machine	1587 mm
Height back of the machine	1671 mm
Ground clearance	264 mm
Ground clearance	348 mm
Length - Front axle to forks face	1020 mm
Wheelbase	2820 mm
Length - Rear axle to machine rear	667 mm
Operator cab outside width	930 mm
Operator cab inside width	857 mm
Track width (front & rear)	1666 mm
Width over standard tyres	2100 mm
External turning radius (at tyres)	3717 mm
External turning radius (at tyres)	3875 mm
Internal turning radius (cab)	1329 mm
Internal turning radius (cab)	1503 mm
Internal turning radius (engine basket)	1383 mm
Internal turning radius (engine basket)	1556 mm
External turning radius (with forks spaced 1040 mm ext.)	4713 mm
External turning radius (with forks spaced 1040 mm ext.)	4820 mm
External turning radius (with forks spaced 1360 mm ext.)	4812 mm
External turning radius (with forks spaced 1360 mm ext.)	4922 mm
External turning radius (dig bucket)	4689 mm
External turning radius (dig bucket)	4817 mm
Carriage rotation angle	136 deg