

Specifications & Options

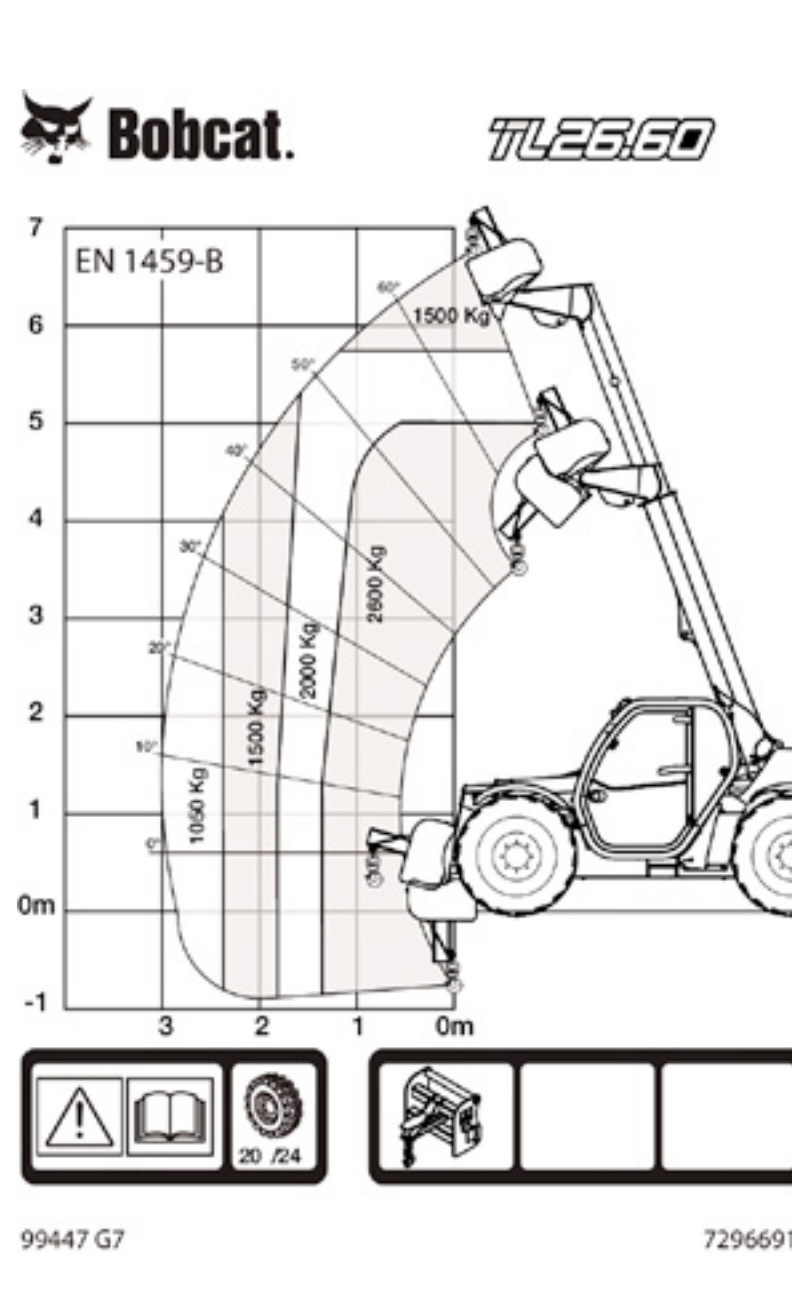
Bobcat TL26.60 T3

Performance

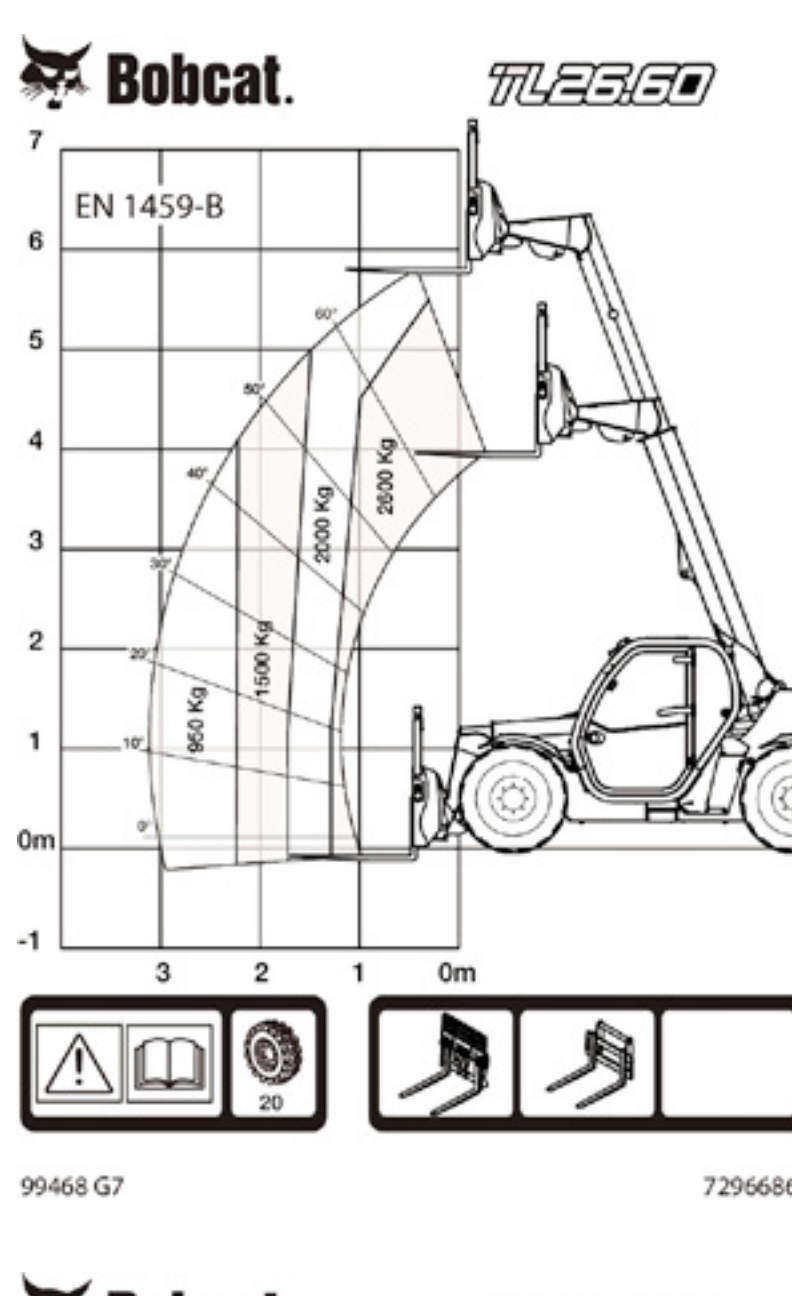
| | |
|-----------------------------------|---------|
| Rated capacity | 2600 kg |
| Lifting height - tyres 24" Rim OD | 5890 mm |
| Lifting height - stab 24" Rim OD | N/A |
| Max. reach - tyres 24" Rim OD | 3010 mm |

Load Charts

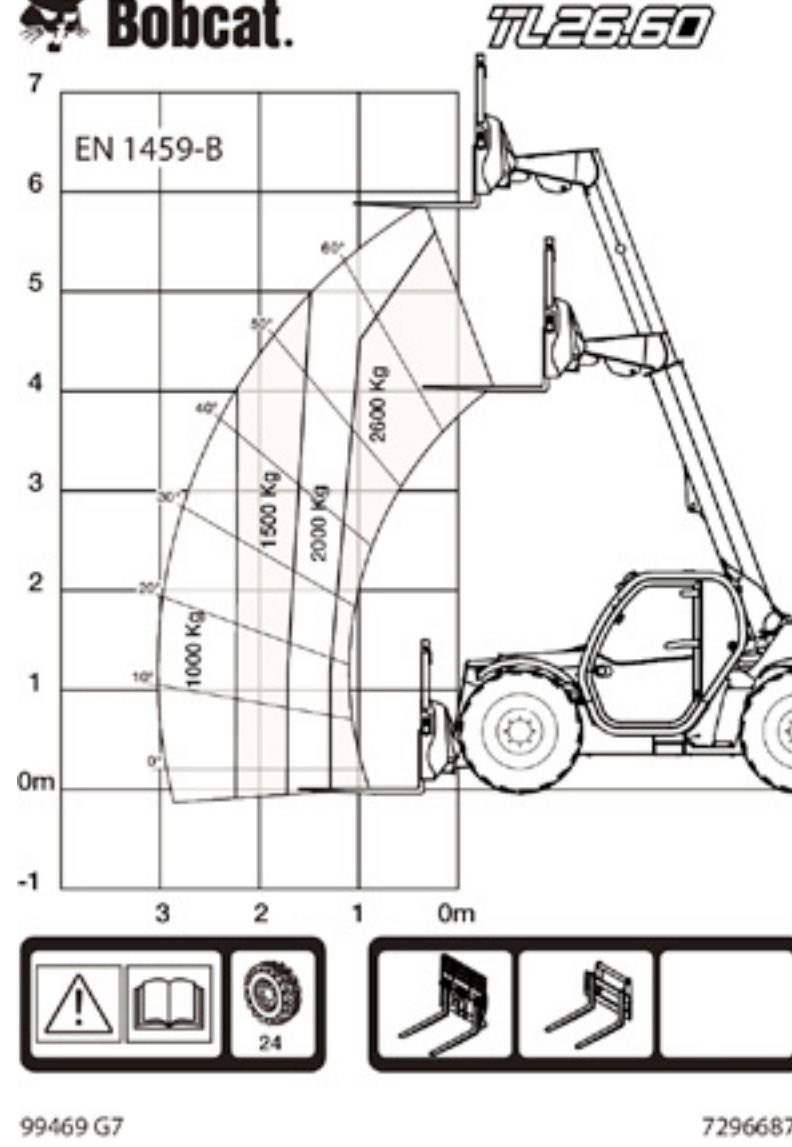
With jib on 20 or 24 inch tyres



With forks and standard 405 70x20 tyres



With forks and standard 400 80x24 tyres



Weights

| | |
|-----------------------------------|---------|
| Total Operating Weight 20" Rim OD | 4780 kg |
|-----------------------------------|---------|

Engine

| | |
|-------------------------|---------------------------|
| Make / Model | PERKINS / 1104D-44TA |
| Fuel | DIESEL |
| Cooling | WATER |
| Rated power (ISO 14396) | 74.5 kW - 100HP @ 2200rpm |
| Maximum torque | 410 Nm @ 1400rpm |
| Number of cylinders | 4 |
| Displacement | 4.4 L |

Hydraulic System

| | |
|-------------------------------|-------------------------|
| Work Pump type | Gear pump with LS valve |
| Work Pump capacity | 100 l/min |
| Relief valve pressure setting | 250 bar |

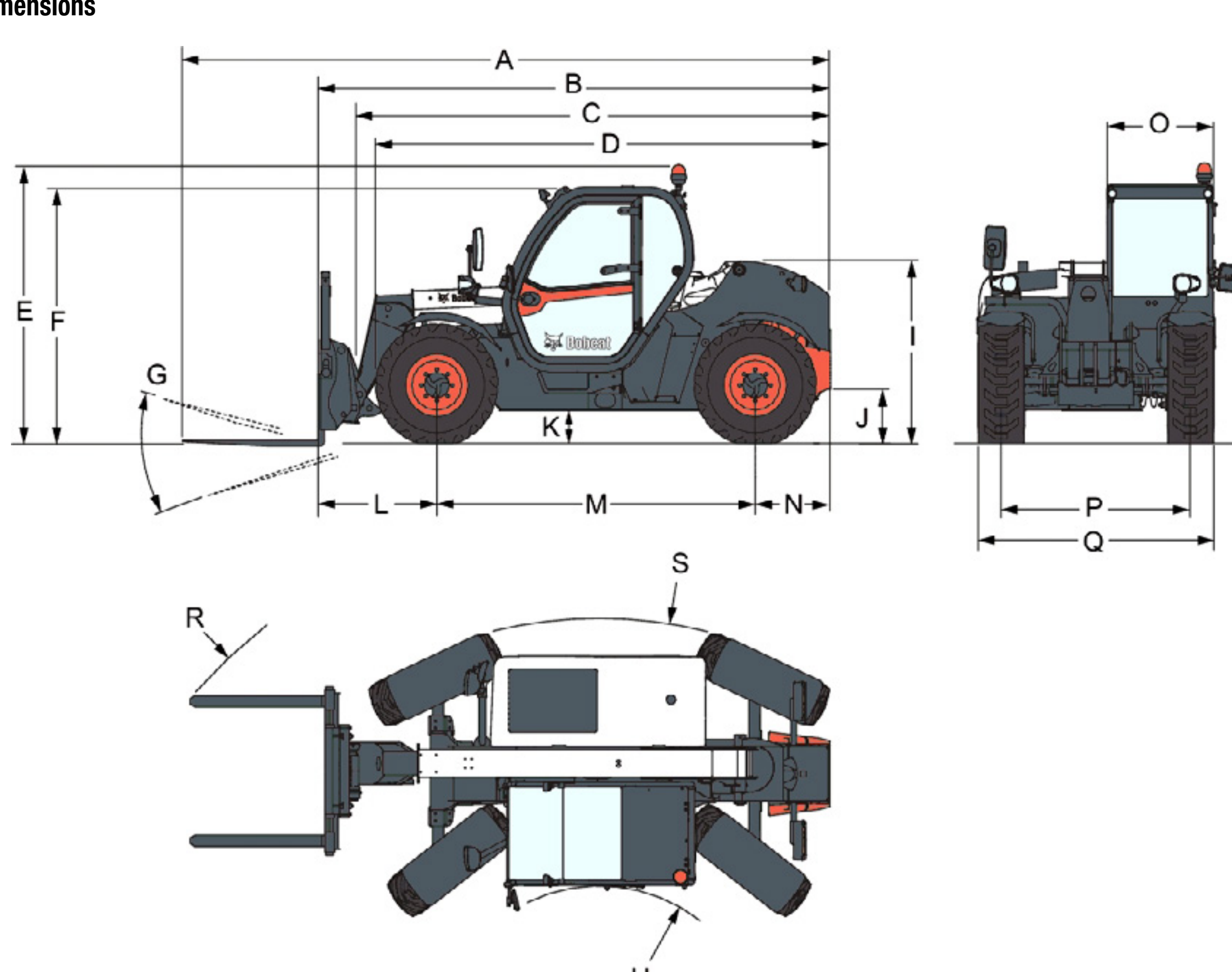
Drive System

| | |
|--------------|--|
| Transmission | Hydrostatic with electronic regulation |
| Main Drive | Hydrostatic motor |

Brakes

| | |
|---------------------------------------|---------------|
| Engine Braking | Hydrostatic |
| Automatic Parking and Emergency brake | Passive brake |

Dimensions



| | |
|--|---------|
| Overall length (to forks tip) | 5712 mm |
| Overall length (to forks face) | 4507 mm |
| Overall length (to carrier pin) | 4400 mm |
| Overall length (to front tyres) | 4035 mm |
| Overall length (to front tyres) | 4123 mm |
| Overall height std cab (with rotating beacon) | 2290 mm |
| Overall height std cab (with rotating beacon) | 2374 mm |
| Overall height high cab (with rotating beacon) | 2440 mm |
| Overall height high cab (with rotating beacon) | 2524 mm |
| Overall height std cab | 2100 mm |
| Overall height std cab | 2184 mm |
| Overall height high cab | 2250 mm |
| Overall height high cab | 2334 mm |
| Height back of the machine | 1587 mm |
| Height back of the machine | 1671 mm |
| Ground clearance | 264 mm |
| Ground clearance | 348 mm |
| Length - Front axle to forks face | 1020 mm |
| Wheelbase | 2820 mm |
| Length - Rear axle to machine rear | 667 mm |
| Operator cab outside width | 930 mm |
| Operator cab inside width | 857 mm |
| Track width (front & rear) | 1666 mm |
| Width over standard tyres | 2100 mm |
| External turning radius (at tyres) | 3717 mm |
| External turning radius (at tyres) | 3875 mm |
| Internal turning radius (cab) | 1329 mm |
| Internal turning radius (cab) | 1503 mm |
| Internal turning radius (engine basket) | 1383 mm |
| Internal turning radius (engine basket) | 1556 mm |
| External turning radius (with forks spaced 1040 mm ext.) | 4713 mm |
| External turning radius (with forks spaced 1040 mm ext.) | 4820 mm |
| External turning radius (with forks spaced 1360 mm ext.) | 4812 mm |
| External turning radius (with forks spaced 1360 mm ext.) | 4922 mm |
| External turning radius (dig bucket) | 4689 mm |
| External turning radius (dig bucket) | 4817 mm |
| Carriage rotation angle | 136 deg |