

Specifications & Options

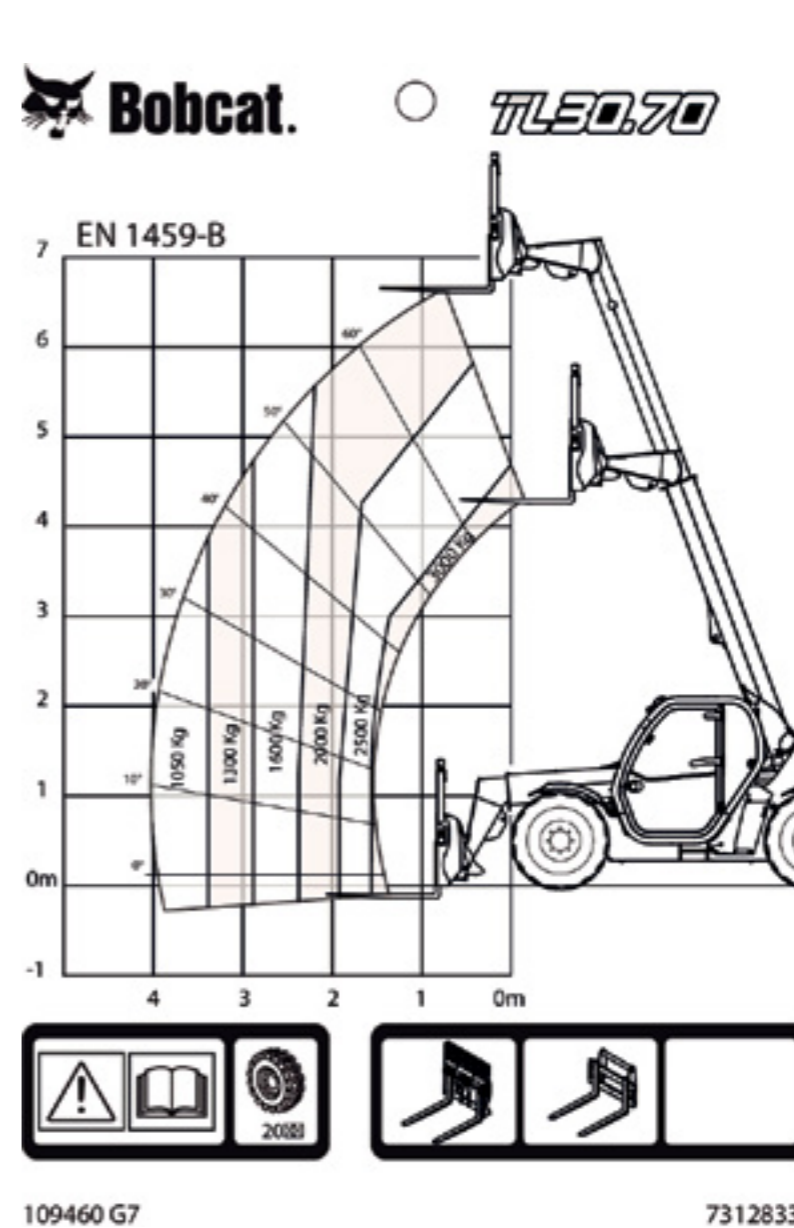
Bobcat TL30.70 T3

Performance

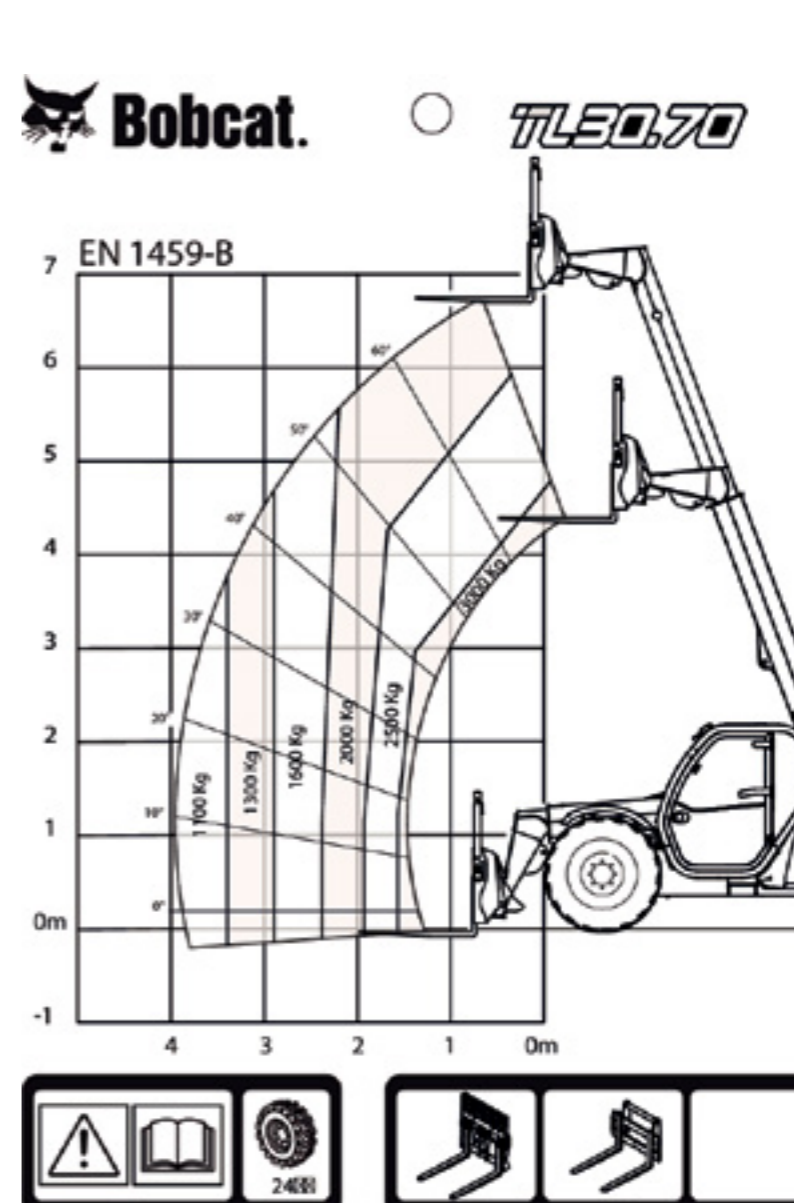
Rated capacity	3000 kg
Lifting height - tyres 24" Rim OD	6760 mm
Lifting height - stab 24" Rim OD	N/A
Max. reach - tyres 24" Rim OD	3930 mm

Load Charts

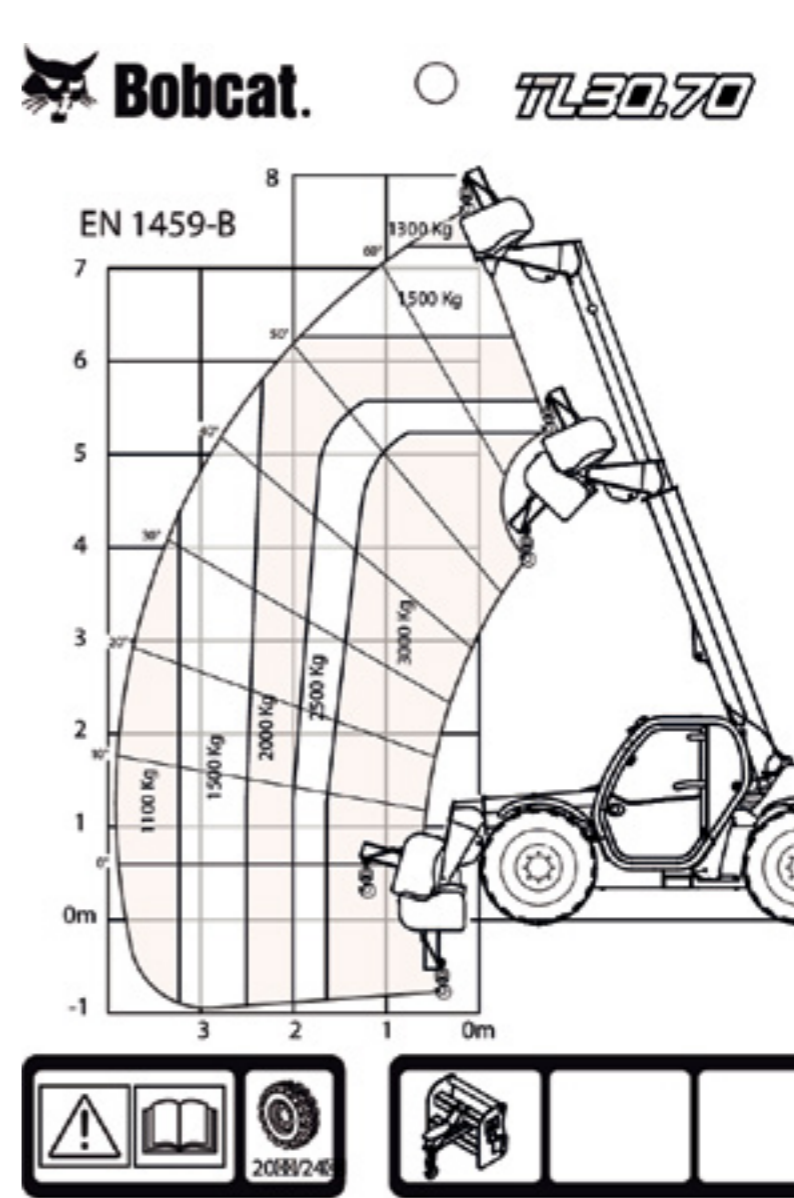
With forks on 20 inch tyres



With forks on 24 inch tyres



With jib on 20 or 24 inch tyres



Weights

Total Operating Weight 20" Rim OD	5485 kg
-----------------------------------	---------

Engine

Make / Model	PERKINS / 1104D-44TA
Fuel	DIESEL
Cooling	WATER
Rated power (ISO 14396)	74.5 kW - 100HP @ 2200rpm
Maximum torque	410 Nm @ 1400rpm
Number of cylinders	4
Displacement	4.4 L

Hydraulic System

Work Pump type	Gear pump with LS valve
Work Pump capacity	100 l/min
Relief valve pressure setting	250 bar

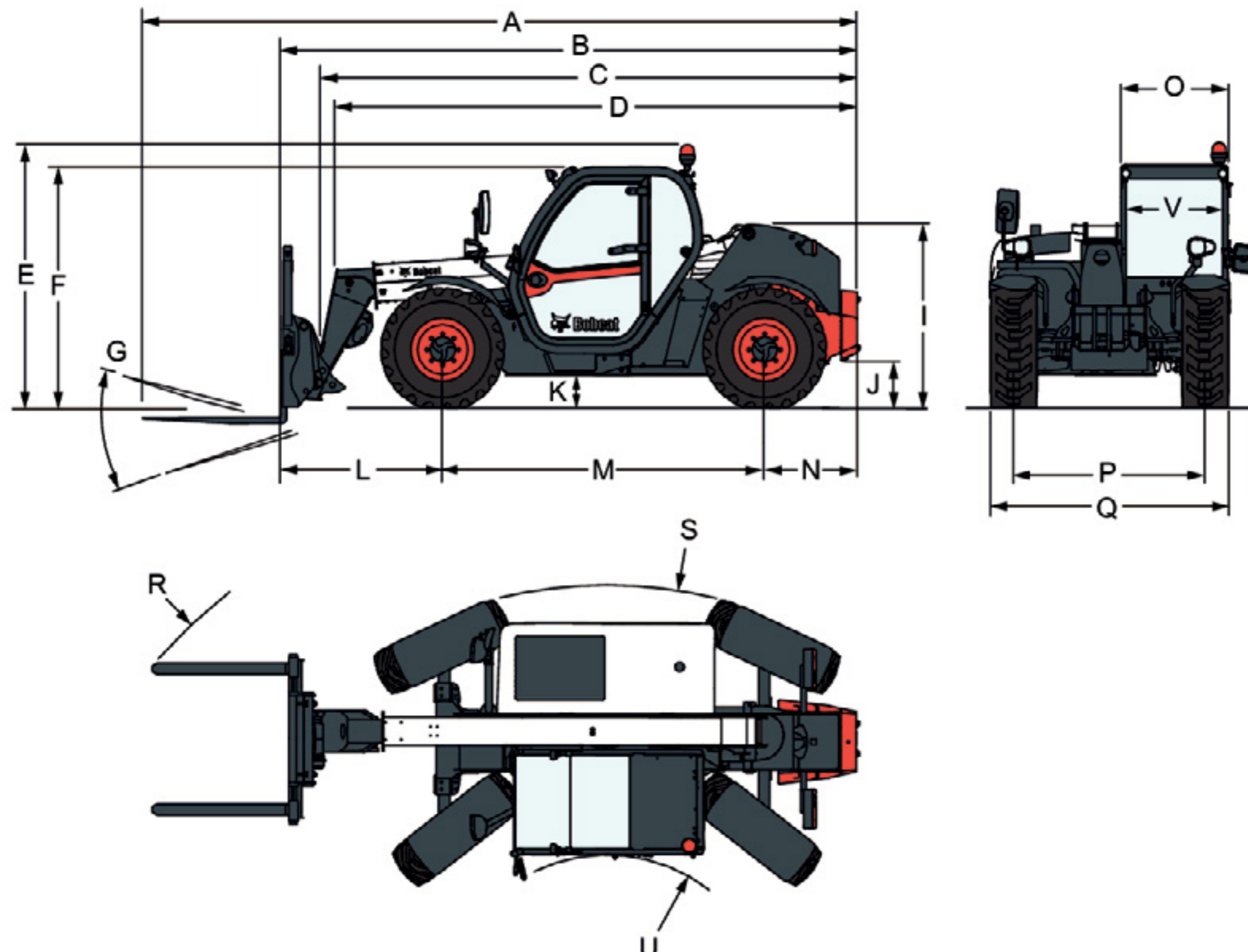
Drive System

Transmission	Hydrostatic with electronic regulation
Main Drive	Hydrostatic motor

Brakes

Engine Braking	Hydrostatic
Automatic Parking and Emergency brake	Passive brake

Dimensions



Overall length (to forks tip)	6240 mm
Overall length (to forks face)	5035 mm
Overall length (to carrier pin)	4670 mm
Overall length (to front tyres) (Rim OD 20")	4185 mm
Overall length (to front tyres) (Rim OD 24")	4273 mm
Overall height std cab (with rotating beacon) (Rim OD 20")	2290 mm
Overall height std cab (with rotating beacon) (Rim OD 24")	2374 mm
Overall height high cab (with rotating beacon) (Rim OD 20")	2440 mm
Overall height high cab (with rotating beacon) (Rim OD 24")	2524 mm
Overall height std cab (Rim OD 20")	2156 mm
Overall height std cab (Rim OD 24")	2240 mm
Overall height high cab (Rim OD 20")	2306 mm
Overall height high cab (Rim OD 24")	2390 mm
Height back of the machine (Rim OD 20")	1587 mm
Height back of the machine (Rim OD 24")	1671 mm
Ground clearance (Rim OD 20")	264 mm
Ground clearance (Rim OD 24")	348 mm
Length - Front axle to forks face	1400 mm
Wheelbase	2820 mm
Length - Rear axle to machine rear	818 mm
Operator cab outside width	930 mm
Operator cab inside width	857 mm
Track width (front & rear)	1666 mm
Width over standard tyres	2100 mm
External turning radius (at tyres) (Rim OD 20")	3717 mm
External turning radius (at tyres) (Rim OD 24")	3875 mm
Internal turning radius (cab) (Rim OD 20")	1329 mm
Internal turning radius (cab) (Rim OD 24")	1503 mm
Internal turning radius (engine basket) (Rim OD 20")	1383 mm
Internal turning radius (engine basket) (Rim OD 24")	1556 mm
External turning radius (with forks spaced 1040 mm ext.) (Rim OD 20")	5035 mm
External turning radius (with forks spaced 1040 mm ext.) (Rim OD 24")	5135 mm
External turning radius (with forks spaced 1360 mm ext.) (Rim OD 20")	5130 mm
External turning radius (with forks spaced 1360 mm ext.) (Rim OD 24")	5232 mm
External turning radius (dig bucket) (Rim OD 20")	4975 mm
External turning radius (dig bucket) (Rim OD 24")	5090 mm
Carriage rotation angle	136 deg

Certain specification(s) are based on engineering calculations and are not actual measurements. Specification(s) are provided for comparison purposes only and are subject to change without notice. Specification(s) for your individual equipment will vary based on normal variations in design, manufacturing, operating conditions, and other factors.