



Bobcat®

R-SERIES LOADER

S76

Operating Weight	3908 kg
Engine Power	74 HP (55.2kW)
Rated Operating Capacity (50% of tipping load)	1338 kg



One Tough Animal®

S76 - SPECIFICATIONS

Loader Series

	R-Series
Rated Operating Capacity (50% of tipping load)	1338 kg (2950 lb.)
Tipping Load (ISO 14397-2)	2676 kg (5900 lb.)
Height to Bucket Hinge Pin	3259 mm (128.3 in.)
Lift Arm Path	Vertical

Size and Speed

Operating Weight	3908 kg (8615 lb.)
Width with Bucket	1880 mm (74 in.)
Height with Cab	2078 mm (81.8 in.)
Travel Speed – Low Range	10.9 km/hr. (6.8 mph)
Travel Speed – High Range (optional 2-Speed travel)	18.9 km/hr (11.8 mph)

Engine

Horsepower	74 HP (55.2kW)
Type	Turbo Diesel
Fuel Tank Capacity	120.0 L (31.7 gal)
Horsepower Management	Included with SJC Option

Control Options

Bobcat Standard (foot pedals/steering levers)	Std
---	-----

Hydraulic System

Hydraulic System Pressure	23.8-24.5 MPa (3450-3550 psi)
Hydraulic Standard Flow	88.1 L/min. (23.3 gpm)
Hydraulic High Flow (optional)	114.7 L/min. (30.3 gpm)
Pressure Release Hydraulic Quick Couplers	Std
Speed Management	Included with SJC Option

Standard Features

ROPS/FOPS Approved Cab Structure	Back-Up Alarm and Horn
Bobcat Interlock Control System (BICS™)	Bob-Tach Mounting System
Standard Display (includes keyless start)	Fingertip Auxiliary Hydraulics Control
LED Front and Rear Work Lights	Pressure Release Hydraulic Quick Couplers
Mechanical Suspension Seat	

Options

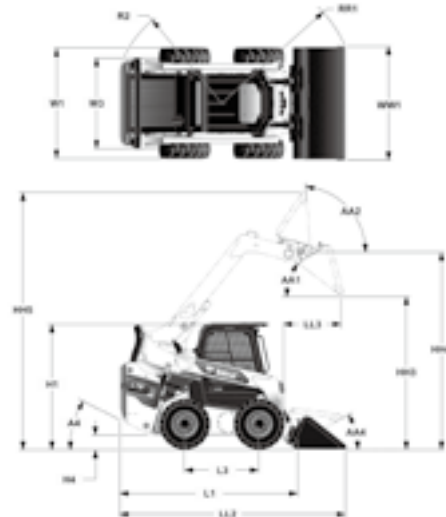
Radio Remote Control (SJC required)	Reversing Fan
Heated Cloth Air-Ride Seat	Automatic Ride Control
Cab with Heat	Side Lighting Kit
Cab with Heat and Air Conditioning	Sound Reduction
Dual Direction Bucket Positioning	Bob-Dock System
Radio	Power Bob-Tach System
2-Speed Travel	Attachment Control Kit



Bobcat is a Doosan company.
Doosan is a global leader in construction equipment, power and water solutions, engines, and engineering proudly serving customers and communities for more than a century. | Bobcat and the Bobcat logo are registered trademarks of Bobcat Company in the United States and various other countries.
©2020 Bobcat Company. All rights reserved.



Dimensions



Rear of Machine Clearance Radius	R2	1788 mm
Carry Position Machine Clearance Radius	RR1	2228 mm
Overall Width	W1	1829 mm
Tread(Track Gauge)	W3(W2)	1504 mm
Bucket Width	WW1	1880 mm
Overall Operating Height	HH5	4252 mm
Overall Height	H1	2079 mm
Angle of Departure	A4	27 degrees
Ground Clearance	H4	223 mm
Wheelbase	L3	1227 mm
Length without Attachment	L1	2893 mm
Overall Length	LL2	3737 mm
Maximum Rollback - Fully Raised	AA2	94 degrees
Dump Angle	AA1	37 degrees
Reach - Fully Raised	LL3	950 mm
Dump Height	HH3	2526 mm
Maximum Rollback - Carry Position	AA4	31 degrees
Height to Hinge Pin	HH4	3259 mm

Attachments

Angle Broom	Rock Bucket
Auger	Scarifier
Blades — Box, Dozer,	Scraper
Snow, Snow V-Blade	Seeder
Brush Saw	Silt Fence Installer
Brushcat™ Rotary Cutter	Snow Pusher
Buckets	Snowblower
Combination Bucket	Sod Layer
Concrete Mixer	Soil Conditioner
Concrete Pump	Spreader
Digger	Stabilizer, Rear
Drop Hammer	Stump Grinder
Dumping Hopper	Sweeper
Flail Cutter	Tiller
Grader	Tilt-Tatch™
Grapples — Farm / Utility,	Tree Spade
Industrial, Root	Trench Compactor
Landscape Rake	Trencher
Laser Equipment	Utility Fork
Mower	Utility Frame
Packer Wheel	Vibratory Roller
Pallet Fork	Water Kit
Planer	X-Change™ Frame



Bobcat®

Doosan Bobcat Korea Co., Ltd.

www.bobcat.com