



# Bobcat®

## R-SERIES LOADER

# S66

|   |                |
|---|----------------|
| Operating Weight                                  | 3245 kg        |
| Engine Power                                      | 74 HP (55.2kW) |
| Rated Operating Capacity<br>(50% of tipping load) | 1166 kg        |



*One Tough Animal.*



# S66 - SPECIFICATIONS

## Loader Series

|  | R-Series            |
|--|---------------------|
| Rated Operating Capacity (50% of tipping load) | 1166 kg (2571 lb.)  |
| Tipping Load (ISO 14397-2)                     | 2332 kg (5142 lb.)  |
| Height to Bucket Hinge Pin                     | 3048 mm (120.0 in.) |
| Lift Arm Path                                  | Vertical            |

## Size and Speed

|   |                      |
|---|----------------------|
| Operating Weight                                    | 3245 kg (7154 lb.)   |
| Width with Bucket                                   | 1727 mm (68 in.)     |
| Height with Cab                                     | 2045 mm (80.5 in.)   |
| Travel Speed – Low Range                            | 11.8 km/h (7.4 mph)  |
| Travel Speed – High Range (optional 2-Speed travel) | 17.7 km/h (11.0 mph) |

## Engine

|                       |                          |
|-----------------------|--------------------------|
| Horsepower            | 74 HP (55.2kW)           |
| Type                  | Turbo Diesel             |
| Fuel Tank Capacity    | 107.1 L (28.3 gal)       |
| Horsepower Management | Included with SJC Option |

## Control Options

|   |     |
|---|-----|
| Bobcat Standard (foot pedals/steering levers) | Std |
|---|-----|

## Hydraulic System

|   |                               |
|---|-------------------------------|
| Hydraulic System Pressure                 | 23.8-24.5 MPa (3450-3550 psi) |
| Hydraulic Standard Flow                   | 66.5 L/min (17.6 gpm)         |
| Hydraulic High Flow (optional)            | 101.8 L/min (26.9 gpm)        |
| Pressure Release Hydraulic Quick Couplers | Std                           |
| Speed Management                          | Included with SJC Option      |

## Standard Features

|   |   |
|---|---|
| 2-Speed Travel                            | ROPS/FOPS Approved Cab Structure          |
| Back-Up Alarm and Horn                    | Bobcat Interlock Control System (BICS™)   |
| Bob-Tach Mounting System                  | Standard Display (includes keyless start) |
| Fingertip Auxiliary Hydraulics Control    | LED Front and Rear Work Lights            |
| Pressure Release Hydraulic Quick Couplers | Mechanical Suspension Seat                |

## Options

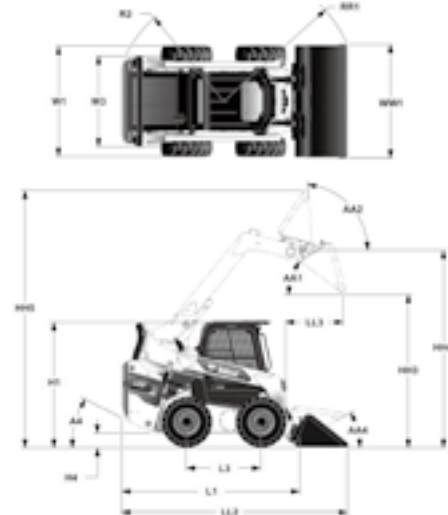
|                                     |                        |
|-------------------------------------|------------------------|
| Radio Remote Control (SJC required) | Reversing Fan          |
| Heated Cloth Air-Ride Seat          | Automatic Ride Control |
| Cab with Heat                       | Side Lighting Kit      |
| Cab with Heat and Air Conditioning  | Sound Reduction        |
| Dual Direction Bucket Positioning   | Bob-Dock System        |
| Radio                               | Power Bob-Tach System  |
| Attachment Control Kit              |                        |



**Bobcat is a Doosan company.**  
Doosan is a global leader in construction equipment, power and water solutions, engines, and engineering proudly serving customers and communities for more than a century. | Bobcat and the Bobcat logo are registered trademarks of Bobcat Company in the United States and various other countries.  
©2020 Bobcat Company. All rights reserved.



## Dimensions



|   |        |            |
|---|--------|------------|
| Rear of Machine Clearance Radius        | R2     | 1692 mm    |
| Carry Position Machine Clearance Radius | RR1    | 2033 mm    |
| Overall Width                           | W1     | 1702 mm    |
| Tread(Track Gauge)                      | W3(W2) | 1326 mm    |
| Bucket Width                            | WW1    | 1727 mm    |
| Overall Operating Height                | HH5    | 3909 mm    |
| Overall Height                          | H1     | 2045 mm    |
| Angle of Departure                      | A4     | 25 degrees |
| Ground Clearance                        | H4     | 189 mm     |
| Wheelbase                               | L3     | 1133 mm    |
| Length without Attachment               | L1     | 2718 mm    |
| Overall Length                          | LL2    | 3427 mm    |
| Maximum Rollback - Fully Raised         | AA2    | 94 degrees |
| Dump Angle                              | AA1    | 37 degrees |
| Reach - Fully Raised                    | LL3    | 869 mm     |
| Dump Height                             | HH3    | 2396 mm    |
| Maximum Rollback - Carry Position       | AA4    | 31 degrees |
| Height to Hinge Pin                     | HH4    | 3048 mm    |

## Attachments

|                            |                  |
|----------------------------|------------------|
| Angle Broom                | Planer           |
| Auger                      | Rock Bucket      |
| Bale Handler               | Scarifier        |
| Blades — Box, Dozer,       | Scraper          |
| Snow, Snow V-Blade         | Seeder           |
| Brush Saw                  | Snow Pusher      |
| Brushcat™ Rotary Cutter    | Snowblower       |
| Buckets                    | Sod Layer        |
| Chipper                    | Soil Conditioner |
| Combination Bucket         | Spreader         |
| Concrete Mixer             | Stabilizer, Rear |
| Concrete Pump              | Stump Grinder    |
| Digger                     | Sweeper          |
| Drop Hammer                | Tiller           |
| Dumping Hopper             | Tilt-Tatch™      |
| Flail Cutter               | Tree Spade       |
| Grader                     | Trench Compactor |
| Grapples — Farm / Utility, | Trencher         |
| Industrial, Root           | Utility Fork     |
| Landplane                  | Utility Frame    |
| Laser Equipment            | Vibratory Roller |
| Mower                      | Water Kit        |
| Packer Wheel               | X-Change™ Frame  |
| Pallet Fork                |                  |



# Bobcat®

Doosan Bobcat Korea Co., Ltd.

www.bobcat.com