



Bobcat®

COMPACT EXCAVATORS

E37 ULTRA HD



One Tough Animal™

E37 ULTRA HD – SPECIFICATIONS

WEIGHTS

Operating weight (ISO 6016)	3447 kg
Ground pressure	34.53 kPa

ENGINE

Make / model	Kubota/D1803
Fuel	Diesel
Number of cylinders	3
Displacement	1.86L
Maximum power (J1349)	24.8 kW/33.3Hp
Maximum torque (J1349)	107.4 Nm

PERFORMANCE

Long arm digging force	18010 N
Digging force, bucket (ISO 6015)	33430 N
Drawbar pull	34132 N
Travel speed (low)	2.6 km/h
Travel speed (high)	4.7 km/h

HYDRAULIC SYSTEM

Pump type	Single outlet variable displacement piston pump with gear pumps
Piston pump capacity	92.4 L/min
Auxiliary flow	63.9 L/min
Auxiliary relief	206.0 bar

SWING SYSTEM

Boom swing, left	75°
Boom swing, right	55°
Swing Speed	8.6 RPM

FLUID CAPACITIES

Cooling system	8.0 L
Engine oil and filter	5.2 L
Fuel tank	52.0 L
Hydraulic Reservoir	8.3 L

STANDARD FEATURES

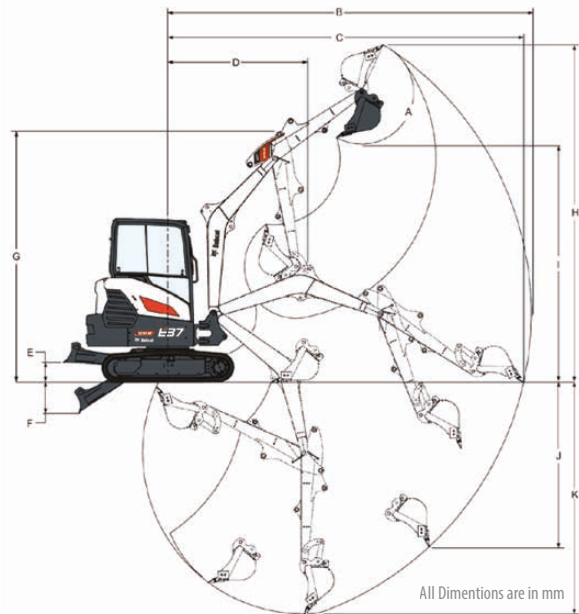
- 1550 mm dozer blade
- 300 mm Steel tracks
- Auto shift travel
- Auxiliary hydraulics with quick couplers on boom
- Blade float feature
- Control console locks
- Cupholder
- Engine/hydraulic monitor with shutdown
- Two Speed Travel
- 0.11 m³ (25.5") GP Bucket
- Fingertip auxiliary hydraulic control
- Horn
- Hydraulic joystick controls
- Retractable seat belt
- Suspension Seat
- FOPS/TOPS/ROPS* Canopy
- Work lights (Boom & Canopy)
- Standard - Arm & Counterweight
- Advanced Diagnostics
- Long Blade
- Engine speed control Lever

OPTIONS

- HVAC Cabin
- Rubber Track/Rubber Pad on steel Track
- GP Bucket 24"(0.1 m³)
- Trenching Bucket 12"(0.05 m³)/24"(0.07 m³)
- Grading Bucket & Bucket Tilt
- Bucket clamp/Bucket Grapppler
- Breaker
- Augur
- Flail Mower
- Hydraulic Coupler
- Travel Motion Alarm
- Load Holding Valve – Boom & Arm

1. Rops-Roll Over Protective Structure (Iso 12117-2-2008), Tops-Tip Over Protective Structure (ISO 12117-2000, EN13531-2001), Fops (Level 1) - Falling Object Protective Structure (Top Guard) ISO 10262-1998

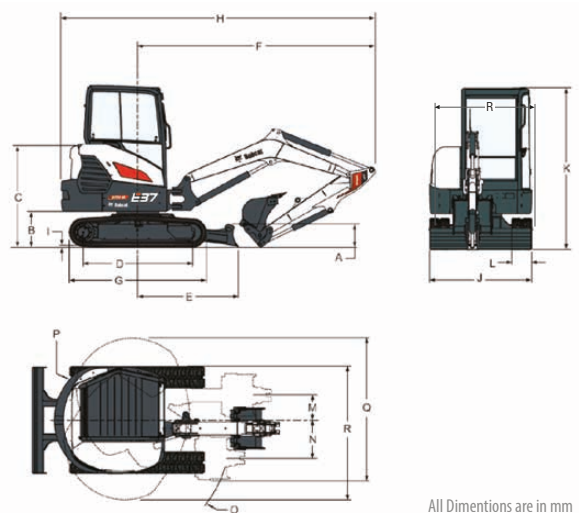
WORKING RANGE



	A	B	C	D	E	F
E37 ULTRA HD	185°	5101	4980	2017	382	456

	G	H	I	J	K	L
E37 ULTRA HD	3708	4804	3437	2136	3117	2952

DIMENSIONS



	A	B	C	D	E	F	G	H	I
E37 ULTRA HD	322	540	1557	1542	1528	3537	1970	4661	25

	J	K	L	M	N	O	P	Q	R
E37 ULTRA HD	1550	2455	300	371	554	1623	1125	1982	1855

Scan to visit our website



Toll Free No. 1800 1032 869



© 2020 BOBCAT INDIA E37 ULTRA – EN (11-20)

This is a representative image of the product. The final image of the product may vary.



Bobcat®

Doosan Bobcat India

HTC Towers, 6TH Floor, No. 41, GST Road, Guindy, Chennai - 600 032.

+91 96000 04852 bobcatindia@doosan.com

www.bobcat.com

Specifications and designs are subject to change without notice. Pictures of Bobcat products may show other than standard equipment.