



# Bobcat®

## COMPACT EXCAVATORS

### E26

Operating Weight	2950 kg
Engine Power	18.5 kw
Bucket Capacity	0.072m <sup>3</sup>



Scan the code to watch E26 video

**One Tough Animal®**

# E26 — SPECIFICATIONS

## Weights

Operating weight (ISO 6016)	2950 kg
Ground pressure	28.4 kPa

## Engine

Make / Model	Kubota / D1305-E4B-BCZ-1 (Tier 4)
Fuel	Diesel
Number of cylinders	3
Displacement	1.3 L
Maximum power (SAE J1995)	18.5 kW (24.8 HP)
Maximum torque (SAE J1995)	81.3 Nm

## Performance

Digging force, arm (ISO 6015)	15,780 N
Digging force, bucket (ISO 6015)	25,140 N
Drawbar pull	29,300 N
Travel speed (low)	2.9 km/h
Travel speed (high)	5.2 km/h

## Hydraulic System

Pump type	Dual outlet variable displacement piston pump with gear pumps
Pump capacity	67.5 L/min
Auxiliary flow	53.8 L/min
Auxiliary relief	180.0 bar

## Swing System

Boom swing (left)	70.0°
Boom swing (right)	55.0°
Swing speed	9.3 RPM

## Fluid Capacities

Cooling system	4.4 L
Engine oil and filter	4.0 L
Fuel tank	34.4 L
Hydraulic system	23.0 L

## Standard Features

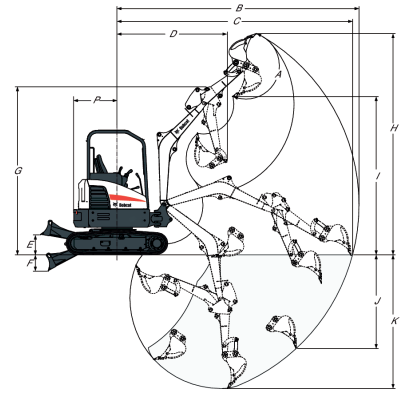
TOPS/ROPS/FOPS canopy <sup>1</sup>	Cupholder
1550 mm dozer blade	Auto shift travel
300 mm rubber tracks	Work light (boom mounted)
Auxiliary hydraulics with quick couplers on boom	Engine/hydraulic monitor with shutdown
Control console locks	Key ignition
Horn	Auto idle
Hydraulic joystick controls	Joystick pattern selector
Retractable seat belt	Fingertip auxiliary hydraulic control
Vinyl suspension seat	

1. Roll Over Protective Structure (ROPS) – Meets requirements of ISO 3471. Tip Over Protective Structure (TOPS) – Meets requirements of ISO 12117.  
Falling Object Protective Structure (FOPS) – Meets requirements of ISO 3449.

## Options

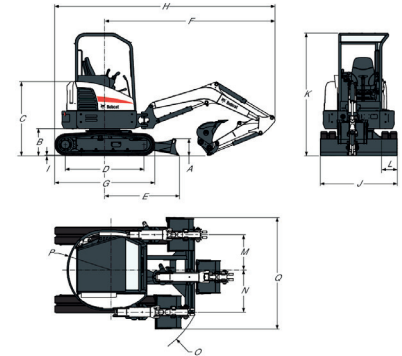
TOPS/ROPS/FOPS cab with air conditioner	X-change
TOPS/ROPS/FOPS cab with air conditioner and audio	Klac coupler
Travel motion alarm	Hydraulic pin grabber
Keyless ignition	Hydraulic quick hitch ready
Vinyl seat	Mirror kit
Deluxe cloth suspension seat	Beacon kit
2nd auxiliary hydraulics with quick couplers on arm	Additional work lights kit

## Working Range



(A)	185.0°	(G)	3239.0 mm
(B)	4990.0 mm	(H)	4468.0 mm
(C)	4876.0 mm	(I)	3272.0 mm
(D)	2135.0 mm	(J)	1916.0 mm
(E)	385.0 mm	(K)	2906.0 mm
(F)	420.0 mm		

## Dimensions



(A)	319.0 mm	(J)	1550.0 mm
(B)	539.0 mm	(K)	2438.0 mm
(C)	1540.0 mm	(L)	300.0 mm
(D)	1543.0 mm	(M)	565.0 mm
(E)	1462.0 mm	(N)	773.0 mm
(F)	3345.0 mm	(O)	1726.0 mm
(G)	1965.0 mm	(P)	864.0 mm
(H)	4327.0 mm	(Q)	1808.0 mm
(I)	21.0 mm		



### Bobcat is a Doosan Company.

Doosan is a global leader in construction equipment, power & water solutions, engines, and engineering proudly serving customers and communities for more than a century. | Bobcat and the Bobcat logo are registered trademarks of Bobcat Company in the United States and various other countries.  
©2020 Bobcat Company. All Rights Reserved.



# Bobcat®

Doosan Bobcat Korea Co., Ltd.  
www.bobcat.com