

WARNING

AVOID INJURY OR DEATH

- Keep cover closed except for service.
- Keep engine clean of flammable material.
- Keep body, loose objects and clothing away from electrical contacts, moving parts, hot parts and exhaust.
- Do not use machine in space with explosive dust or gases or with flammable material near exhaust.
- All exhaust gases can kill. Always ventilate.
- Never use ether or starting fluid on diesel engine. Use only starting aids as approved by engine manufacturer.
- Leaking fluids under pressure can enter skin and cause serious injury. Immediate medical attention is required. Wear goggles. Use cardboard to check for leaks.
- Battery acid causes severe burns. Wear goggles. If acid contacts eyes, skin or clothing, flush and get medical attention.
- Battery makes flammable and explosive gas. Keep arcs, sparks, flames and lighted tobacco away.
- For jump start, connect negative cable to the machine frame last (never at the battery). After jump start, remove negative connections at the frame first.

SERVICE SCHEDULE

- Service at first 50 hours, then as scheduled.
- ◆ Service every 10 hours when operating in water.

EVERY 8-10 HOURS

- Check engine coolant level.
- Check engine oil level.
- Check hydraulic fluid level.
- Check air cleaner condition indicator.
- Check and adjust track tension.
- Check indicator lights for correct operation.
- Check horn and motion alarm (if equipped) for proper function.
- Grease all machinery pivot points. (See illustrations)
- Check cab and HVAC filters - clean as needed.
- Check cab/canopy condition and mounting hardware.
- Check seat belt condition and mounting hardware.
- Check control console lockout for proper operation.
- Check for damaged signs (decals) - Replace as needed.
- Grease Hydraulic clamp and Angle blade if equipped.
- Check X-Change (if equipped) for damage and loose parts.

EVERY 50 HOURS

- ◆ Grease swing pinion and swing circle. (See illustrations)
- Check battery, cables and electrolyte level.
- Drain water and sediment from fuel tank and fuel filter.

EVERY 100 HOURS

- Spark Arrestor Muffler - Clean spark chamber.
- Check and adjust V-Belt. Replace as needed. (E26)

EVERY 250 HOURS

- Check oil level in both final drive cases.
- Replace Diesel fuel filter.
- Change engine oil and filter. (Model E26)

EVERY 500 HOURS

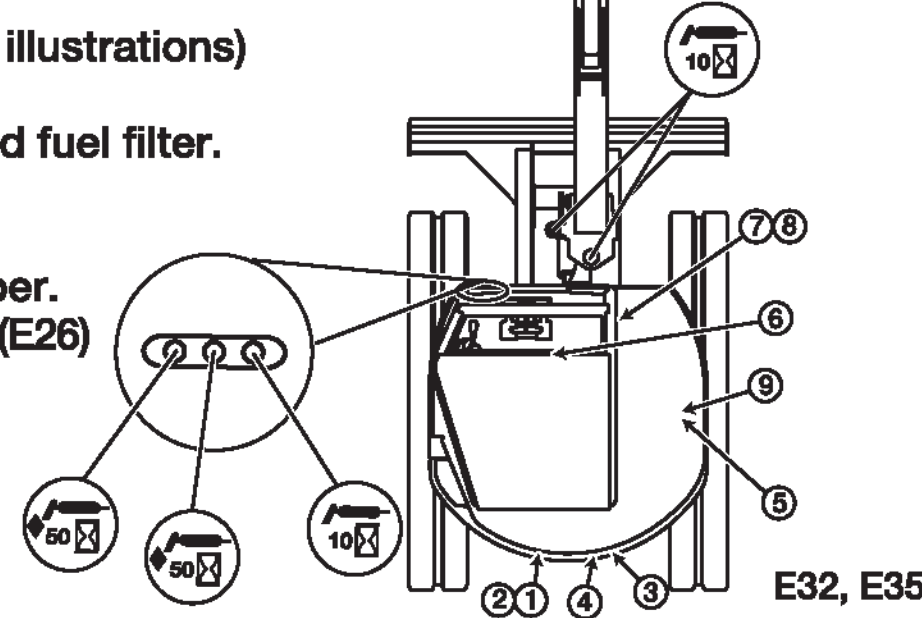
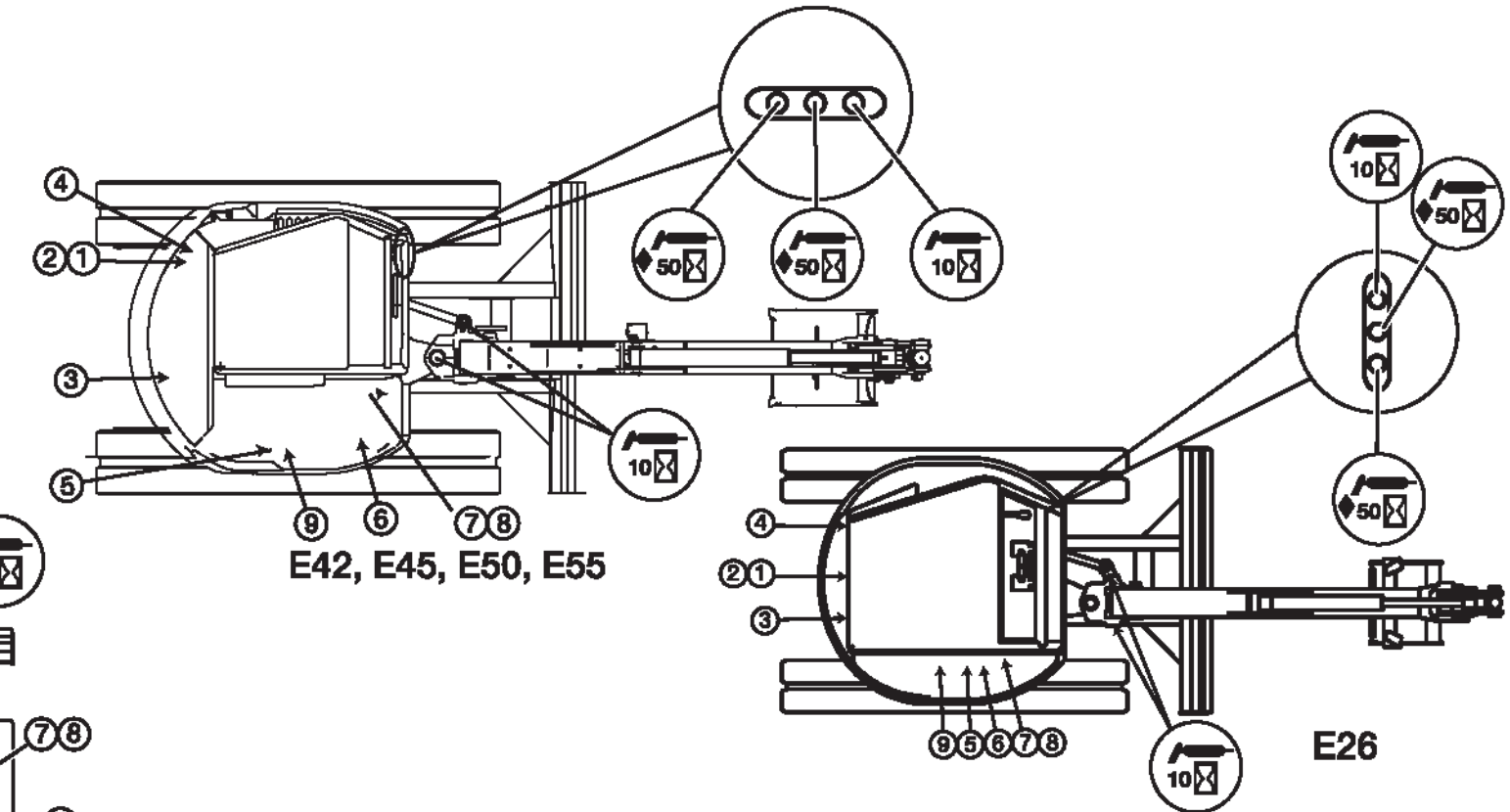
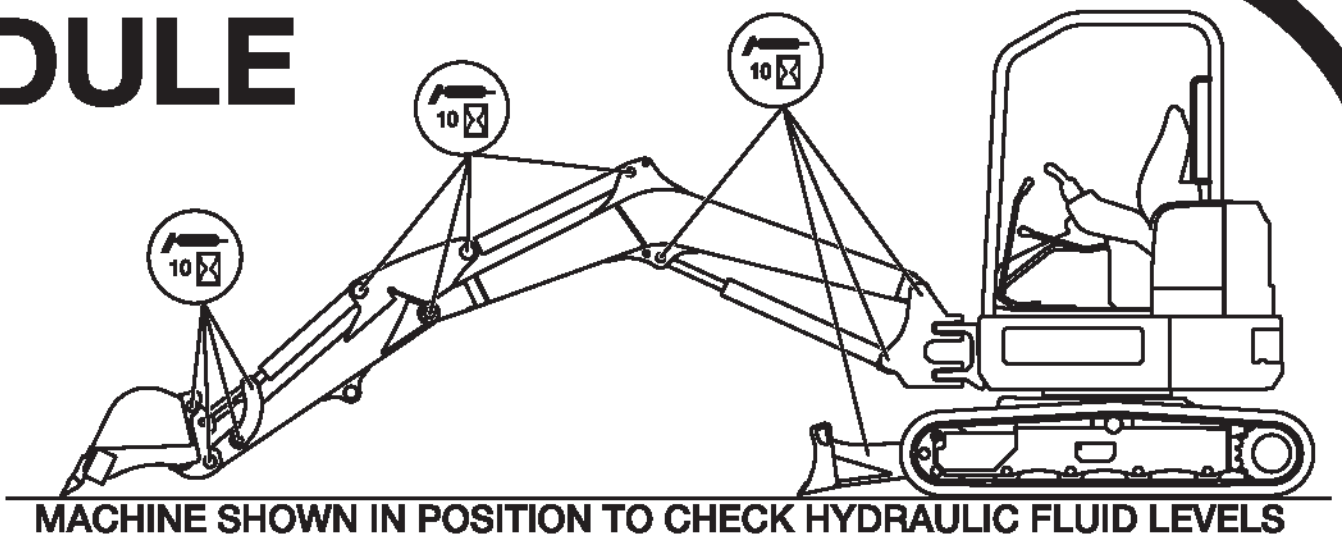
- Change engine oil and filter. (Model E32, E35, E42, E45, E50, E55)
- Clean radiator, oil cooler and A/C condenser. Replace primary hydraulic and case drain filter and reservoir breather.
- Check alternator and starter connections. Check and adjust engine valve clearance.
- Inspect ribbed belt(s) wear. Replace as needed.

EVERY 1000 HOURS

- Replace oil in both final drive cases.
- Replace hydraulic fluid and filters.

EVERY 2 YEARS

- Drain and flush cooling system - Replace coolant.



IMPORTANT

THIS MACHINE IS FACTORY EQUIPPED WITH A U.S.D.A. FORESTRY SERVICE APPROVED SPARK ARRESTOR MUFFLER.

IT IS NECESSARY TO CLEAN THIS SPARK ARRESTOR MUFFLER TO KEEP IT IN WORKING CONDITION. THE SPARK ARRESTOR MUFFLER MUST BE SERVICED BY DUMPING THE SPARK CHAMBER EVERY 100 HOURS OF OPERATION.

IF THIS MACHINE IS OPERATED ON FLAMMABLE FOREST, BRUSH OR GRASS COVERED LAND, IT MUST BE EQUIPPED WITH A SPARK ARRESTOR ATTACHED TO THE EXHAUST SYSTEM AND MAINTAINED IN WORKING ORDER. FAILURE TO DO SO WILL BE IN VIOLATION OF CALIFORNIA STATE LAW, SECTION 4442. PRC.

REFER TO LOCAL LAWS AND REGULATIONS FOR SPARK ARRESTOR REQUIREMENTS.

FILTER CHART

	E26	E32 / E35	E42 / E45	E50 / E55
1. PRIMARY AIR FILTER	6672467	6672467	6666375	6666375
2. SECONDARY AIR FILTER	6672468	6672468	6666376	6666376
3. ENGINE OIL FILTER	6657635	6675517	6675517	6675517
4. FUEL FILTER	6667352	6667352	6667352	6667352
5. PRIMARY HYDRAULIC FILTER	6661248	6668819	6668819	6670207
6. CASE DRAIN HYDRAULIC FILTER	7009365	7009365	6516722	6516722
7. RECIRCULATION FILTER	7010332	7010332	7010332	7010332
8. FRESH AIR FILTER	7010331	7010331	7010331	7010331
9. BREATHER FILTER	6692836	6692836	6692836	6692836

- See illustrations above for filter locations.

See Operation & Maintenance Manual for more information and instructions.

80112 SW

7188747A enUS