

EVERY 10 HOURS (BEFORE STARTING THE MACHINE):

- **ENGINE OIL** – Check level and add as needed. Do not overfill.
- **HYDRAULIC FLUID** – Check fluid level and add as needed.
- **SAFETY SIGNS, SAFETY TREAD AND MIRRORS** – Check for damaged signs (decals), load charts, safety treads and mirrors. Replace if damaged or missing.
- **FUEL FILTER** – Remove trapped water through the tap on the bottom of the filter tank.
- **TIRES** – Check for wear, damage and proper inflation pressure. Use only approved tires.
- **LORS™** – Check for function (if equipped).
- **BRAKES AND CONTROLS** – Check for function. Service as necessary.
- **GAUGES, HORN AND BACKUP ALARM** – Check for function. Repair or replace as needed.
- **GENERAL** – Check for loose or broken parts, damaged cab, seat belt and instrument operations. Check for installation of right hand cab window. Clean mirrors and windows. Repair or replace as needed.
- **ENGINE COOLING SYSTEM** – Clean debris from oil cooler, radiator and air conditioner condenser. Check cold coolant level in recovery tank. Add 50% ethylene glycol premixed with 50% water as needed. Check cooling system for leaks.
- **ENGINE AIR FILTER** – Check condition indicator. Service only when required. Do not use compressed air to clean elements.
- **ENGINE AIR INTAKE SYSTEM** – Check for leaks and damaged components.
- **BOB-TACH PIVOT, WEDGES, CYLINDER AND LINK PIN JOINTS** – Lubricate with multipurpose lithium based grease.

EVERY 50 HOURS:

- **AXLE STEERING PIVOT POINTS** – Lubricate with multi-purpose lithium based grease.
- **REAR AXLE PIVOT** – Lubricate with multi-purpose lithium based grease.
- **BOOM AND CYLINDER PIVOT** – Lubricate with multi-purpose lithium based grease.
- **HYDRAULIC HOSES, TUBELINES AND CONNECTIONS** – Check condition of hoses, tubelines and connections. Repair or replace as needed.
- **UNIVERSAL JOINTS AND SLIP YOKE ON DRIVE SHAFT** – Lubricate with multi-purpose lithium based grease.
- **CAB FILTER** – Clean as necessary.

EVERY 100 HOURS:

- **BATTERY** – Check electrolyte level. Add distilled water as needed.
- **WHEEL NUTS** – Check wheel nut torque. Tighten as needed to 265 ft.lbs. (360 Nm) †

EVERY 250 HOURS:

- **FUEL FILTER** – Replace the fuel filter element. Use the genuine Bobcat filter. •
- **ENGINE/HYDROSTATIC DRIVE BELT** – Check for wear or damage. Check idler arm stop. Check tension and adjust or replace as needed •
- **ALTERNATOR AND AIR CONDITIONER BELT** – Check belt tension and adjust as needed. •
- **LORS™ OR DOOR HINGES (IF EQUIPPED)** – Lubricate restraint bar spring pivot or door hinges with multi-purpose lithium based grease.

EVERY 500 HOURS (OR EVERY 6 MONTHS):

- **HYDRAULIC/HYDROSTATIC OIL FILTERS** – Replace the hydraulic/hydrostatic oil filter elements. Use a genuine Bobcat filter. •
- **ENGINE OIL AND FILTER** – Replace the engine oil and filter. Use the genuine Bobcat filter. •
- **CAB FILTER** – Replace.
- **AXLE FLUIDS** – Check all fluid levels. ♦
- **FRONT AND REAR AXLE FLUID** – Replace the axle fluid. ♦♦
- **GEAR BOX FLUID** – Replace gear box fluid. ♦♦
- **WHEEL GEAR FLUID** – Replace the wheel gear fluid. ♦♦

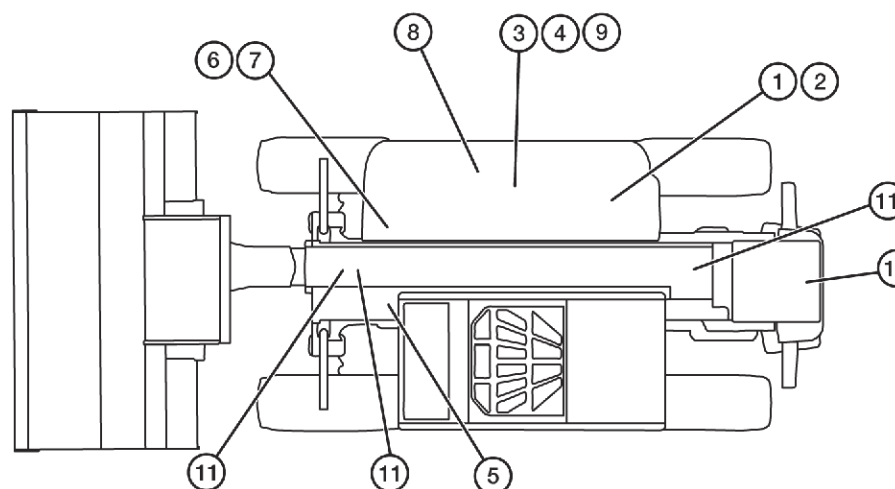
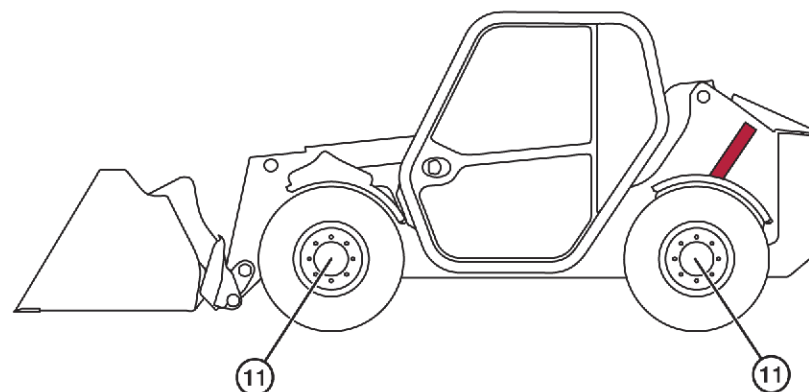
EVERY 1000 HOURS (OR EVERY 12 MONTHS):

- **HYDRAULIC FLUID** – Replace the hydraulic fluid.
- **ENGINE COOLANT** – Flush cooling system and replace coolant with 50% ethylene glycol premixed with 50% water. Check freeze protection of antifreeze -34°F (-30°C).
- **TELESCOPIC BOOM WEAR BLOCKS** – Check for wear and adjust as needed. Replace if necessary.
- **PIVOT PINS AND BUSHINGS** – Check for wear on the pivot pins and bushings.
- **BREATHERS** – Clean gear box, axle housing, and hydraulic tank breathers. Replace as needed.

- † Check wheel nut torque every 8 hours for the first 24 hours.
- Perform service first time at 50 hours, then as indicated.
- ♦ Perform fluid level check first time at 100 hours, then as indicated.
- ♦ Replace fluid first at 500 hours, then as indicated in chart.

See Operation & Maintenance Manual for more information and instructions.

SERVICE SCHEDULE



SERVICE PARTS CHART

Ref. No.	Symbol	Description	Part Number	Service Date/Hours
1.		Primary Air Filter	6910725	
2.		Secondary Air Filter	6910726	
3.		Engine Oil	■	
4.		Engine Oil Filter	6678233	
5.		Hydrostatic Oil	■	
6.		Hydraulic Oil Filter	6661248	
7.		Charge Oil Filter	6919493	
8.		Coolant	■	
9.		Fuel Filter	6667352	
10.		Diesel Fuel	■	
11.		Gear And Axle Fluid	■	

- ♦ Do not use compressed air to clean elements
- See Operation & Maintenance Manual For More Information

IMPORTANT

This Machine Is Factory Equipped With A U.S.D.A. Forestry Service Approved Spark Arrestor Muffler.

It Is Necessary To Clean This Spark Arrestor Muffler To Keep It In Working Condition. The Spark Arrestor Muffler Must Be Serviced By Dumping The Spark Chamber Every 100 Hours Of Operation.

If This Machine Is Operated On Flammable Forest, Brush Or Grass Covered Land, It Must Be Equipped With A Spark Arrestor Attached To The Exhaust System And Maintained In Working Order. Failure To Do So Will Be In Violation Of California State Law, Section 4442. Prc.

Refer To Local Laws And Regulations For Spark Arrestor Requirements.



Use Genuine Bobcat Replacement Parts