

WARNING

AVOID INJURY OR DEATH

- Keep door closed except for service.
- Keep engine clean of flammable material.
- Keep body, loose objects and clothing away from electrical contacts, moving parts, hot parts and exhaust.
- Do not use loader in space with explosive dusts or gases or with flammable material near exhaust.
- All exhaust gases can kill. Always ventilate.
- Never use ether or starting fluid on diesel engine with glow plugs. Use only starting aids as approved by engine manufacturer.
- Leaking fluids under pressure can enter skin and cause serious injury. Immediate medical attention is required. Wear goggles. Use cardboard to check for leaks.
- Battery acid causes severe burns wear goggles. If acid contacts eyes, skin or clothing, flush well with water. For contact with eyes flush and get medical attention.
- Battery makes flammable and explosive gas. Keep arcs, sparks, flames and lighted tobacco away.
- For jump start, connect negative cable to the loader engine last (never at the battery). After jump start, remove negative connection at the engine first.

SERVICE SCHEDULE

EVERY 10 HOURS (BEFORE STARTING THE LOADER)

- **ENGINE OIL** – Check level and add as needed. Do not overfill.
- **ENGINE AIR FILTER** – Check gauge and/or display. Service only when required.
- **ENGINE AIR SYSTEM** – Check for leaks and damaged components.
- **ENGINE COOLING SYSTEM** – Clean debris from oil cooler and grills.
500's & 700's/T190 - Check coolant level cold, add 53% propylene glycol premixed with 47% water as needed.
- **FUEL FILTER** – Remove trapped water.
- **LOADER LIFT ARM, LIFT LINKS, CYLINDERS, BOBTACH PIVOT AND WEDGES, ROD END OF STEERING CYLINDER** – Lubricate with multipurpose lithium based grease.
- **SEAT BELT, SEAT BAR AND CONTROL INTERLOCKS** – Check function. Repair or replace as needed. Clean dirt and debris from moving parts.
- **BICS™** – Check for function. Clean dirt, debris and objects from under and/or behind the operator seat as required.
- **TIRES** – Check air pressure. Inflate tires to **MAXIMUM** pressure shown on the tire sidewall. Except 864/T200, T190
- **GENERAL** – Check for loose or broken parts, damaged operator cab, instrument operation, loose wheel nuts, oil leaks, damaged or missing safety signs. Repair or replace as needed.

EVERY 50 HOURS

- **HYDRAULIC FLUID, HOSES AND TUBELINES** – Check the fluid level. Check for damage and for leaks. Repair or replace as needed.
- **FINAL DRIVE TRANSMISSION (CHAINCASE)** – Check the fluid level. Except 864/T200, T190.
- **HYDRAULIC CONTROLS (PEDALS OR HAND) AND STEERING** – Check operation. Adjust as needed.
- **WHEEL NUTS/SPROCKET** – Check for loose wheel nuts and tighten per Operation and Maintenance Manual.
- **TRACK TENSION** – 864/T200, T190 Only. Check, adjust if needed.

EVERY 100 HOURS

- **SPARK ARRESTOR MUFFLER** – 500's and 700's/T190 only. Empty spark chamber.
- **BATTERY** – Check battery for damage, hold downs, cables, connections and electrolyte level. Add distilled water as needed.

EVERY 250 HOURS (OR EVERY 12 MONTHS)

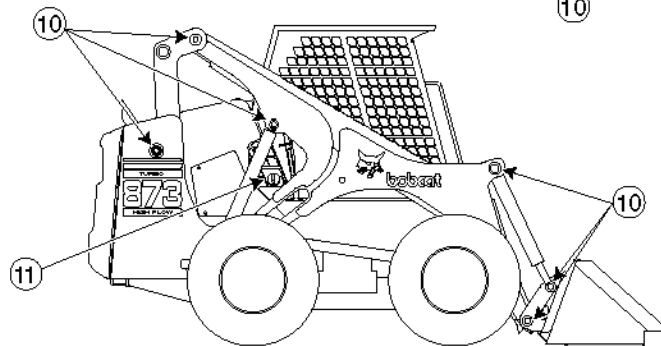
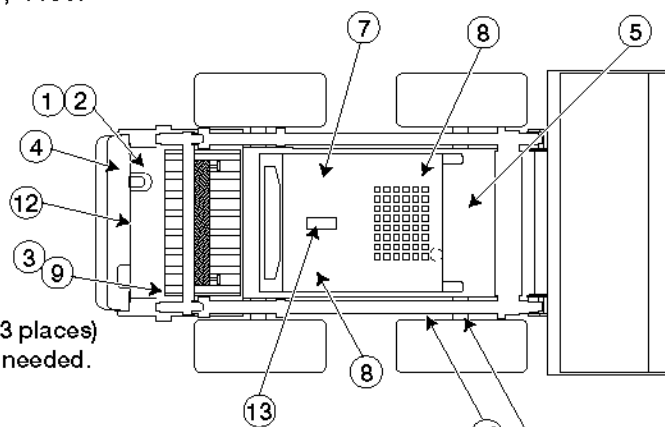
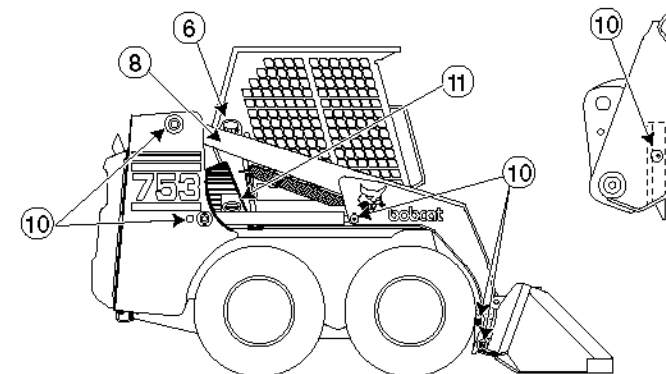
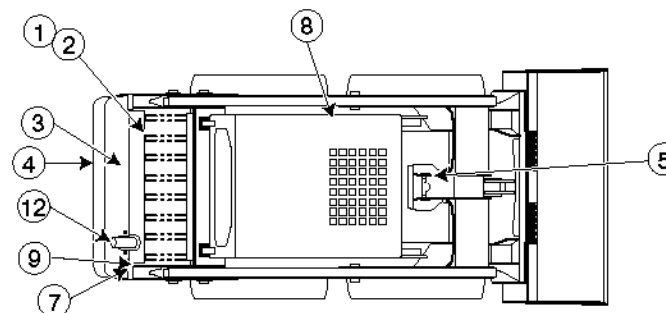
- **STEERING LEVER PIVOTS, KINGPINS** – Lubricate with multipurpose lithium based grease. (3 places)
- **ENGINE/ HYD. DRIVE BELT** – 700's/T190. Check for wear and damage. Adjust or replace as needed.
*Check replacement drive belts after 50 hours of operation and adjust if needed.
- **DRIVE LINE** – 500's only. Lubricate U-joint.
- **FAN DRIVE GEARBOX** – Check fluid level.
Check all belt drives. Hydrostatic pump, water pump, alternator and fan drive for condition and tension. Adjust or replace as needed.
- **BICS™** – Check lift arm bypass control.

EVERY 500 HOURS (OR EVERY 12 MONTHS)

- **HYDRAULIC/HYDROSTATIC SYSTEM** – Replace reservoir breather cap.
- **STEERING VALVE INLINE FILTER** – Replace filter.

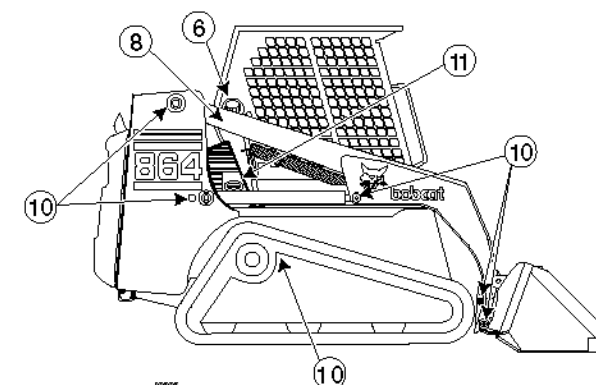
EVERY 1000 HOURS (OR EVERY 12 MONTHS)

- **HYDRAULIC RESERVOIR** – Replace fluid.
- **FINAL DRIVE TRANSMISSION (CHAINCASE)** – Replace fluid. Except 864/T200.
- **ROLLER, IDLER ASSEMBLIES** - 864/T200, T190 Only. Replace fluid.
- **ENGINE VALVE ADJUSTMENT** (863, 864/T200, 873)



SERVICE PARTS CHART

Ref. No.	Symbol	Description	553		700's/T190		800's/A220		864/T200	
			Part Number	Replacement Interval	Part Number	Replacement Interval	Part Number	Replacement Interval	Part Number	Replacement Interval
1.		Primary Air Filter		AS REQ.		AS REQ.		AS REQ.		AS REQ.
2.		Secondary Air Filter		AS REQ.		AS REQ.		AS REQ.		AS REQ.
3.		Engine Oil	■	200 ☐	■	250 ☐	■	500 ☐	■	500 ☐
4.		Engine Oil Filter		200 ☐		250 ☐		500 ☐		500 ☐
5.		Chaincase Oil	■	1000	■	1000	■	1000	■	1000
6.		Hydrostatic/Hydraulic Oil	■	1000	■	1000	■	1000	■	1000
7.		Hydrostatic Drive Oil Filter		500*		500*		500*		500*
8.		Drive Motor Case Drain Filter	N/A			1000		1000		1000
9.		Coolant		2 yrs		2 yrs				
10.		Multi-Purpose Lithium Grease	▲	---	▲	---	▲	---	▲	---
11.		Diesel Fuel	■	---	■	---	■	---	■	---
12.		Fuel Filter		250		250		250		250
13.		Steering Valve In-line Filter					6677767	500		



Use Genuine Bobcat Replacement Parts

- ◆ Do not use compressed air to clean elements.
- ▲ See Your Local Bobcat Dealer.
- See Operation & Maintenance Manual For More Information.
- ☐ First oil & Filter change at 50 hours.
- * Filter element must be replaced sooner if transmission warning indicator remains on for more than 5 minutes after hydraulic fluid is at operating temperature.

* See Operation & Maintenance Manual for more information and instructions. * Weitere Anweisungen finden sie in der Bedienungs- und Instandhaltungsanleitung.

* Para más instrucciones, vea el Manual de Operación y Mantenimiento.

* Voir le Manuel de l'opérateur et d'entretien pour d'autres renseignements.