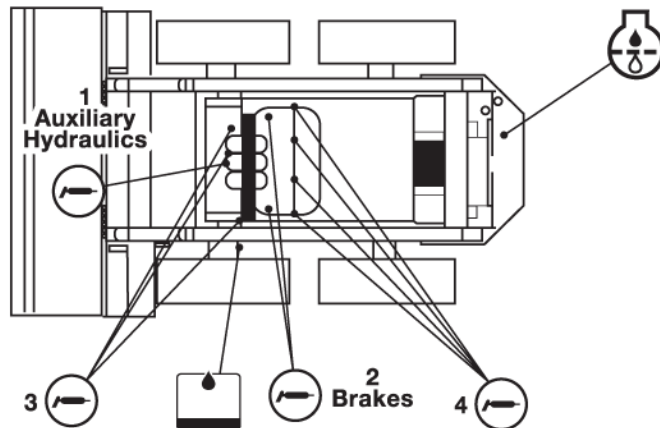


# 620 SERVICE SCHEDULE

## CONSULT OWNER'S MANUAL FOR DETAILED SERVICING REQUIREMENTS

### EVERY 10 HOURS

1. Engine Oil (Check do not overfill).
2. Engine Air Filter (Empty dust cap. Change element only when indicator shows red line).
3. Engine Cooling (Check debris from cooling fins).
4. Loader Lift Arm Grease Fittings (Lubricate 12 points with multi-purpose lithium base grease).
5. Check tires (Inflated 7.00 X 15 to 50 PSI (340 kPa)).
6. Visual Inspection (Check for loose or broken parts, wheel nuts & oil leaks, etc).



### EVERY 50 HOURS

1. Engine oil (Drain when hot & refill according to oil specification chart).

Starting Temperatures	Engine Oil Grade
+40 to +120F. (4.5- 49C.)	SAE 30
+15 to 40F. (-9.5- 4.5C.)	SAE 20 - 20W
0 + 15F. (-18C - -9.5C.)	SAE 10W
Below ZeroF. (-18C.)	SAE 5W- 20
Use only certified as API Service "SD" only	

2. Grease Fittings on Controls. Lubricate 7 points (10 with optional items - brakes and auxiliary hydraulics) with multi-purpose lithium base grease.
3. Transmission Fluid Level (Check level & add as required (Refer to Owner's Manual for type) USE EXTRA CARE TO PREVENT DIRT FROM ENTERING HYDRAULIC SYSTEM.
4. Final Drive (Check tension both sides - Consult Owner's Manual).

CODE FOR SYMBOLS		
Grease	Engine Oil Filter	Hydraulic Reservoir

