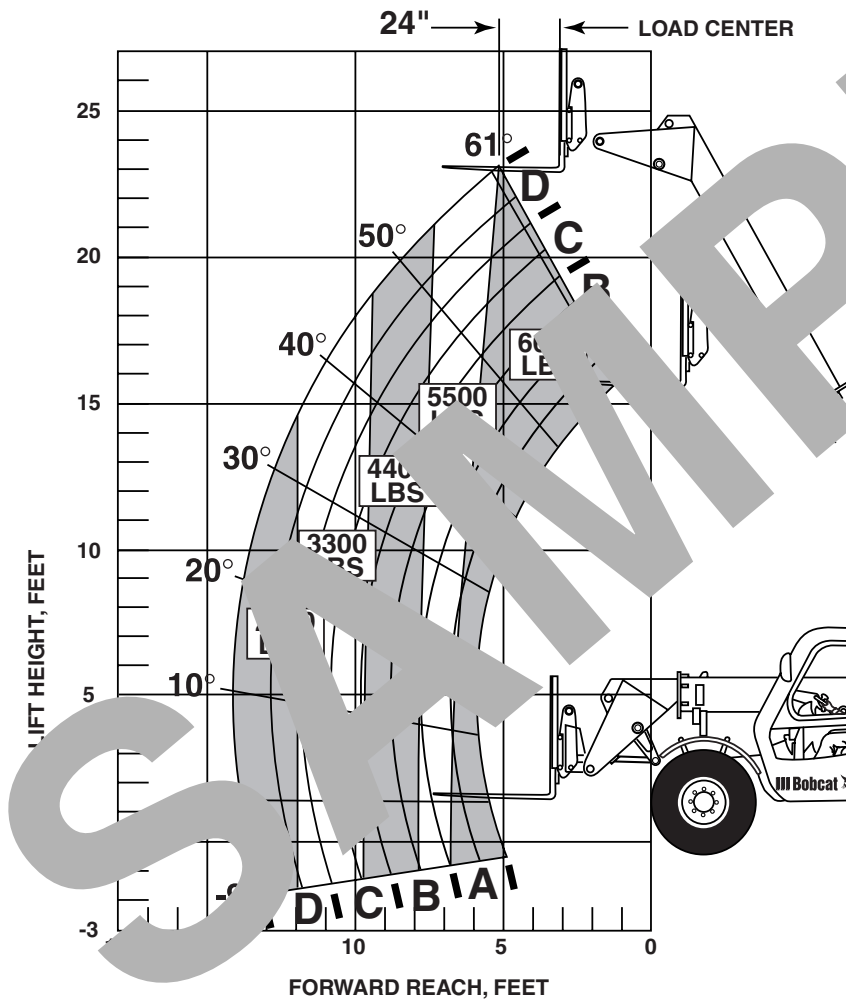


Each Bobcat **VersaHANDLER** has specific warning and informational decals mounted in key locations. Potential hazards are marked with warning decals. They indicate the type of hazard, or may indicate that the condition, situation or work area is to be avoided all together.

Decal design and content may vary from manufacturer to manufacturer. Some may be text only, pictogram only or a combination of both. Refer to your specific machine and the OEM Manual for information on the decals on your machine.

**LOAD CHARTS**



**Figure 3.7 - Load Chart**

Each Bobcat **VersaHANDLER** will have a chart with load-handling capacities. This decal indicates lifting capabilities within certain lift regions. BE AWARE, however, that these decals reflect conditions in which the load is centered. Unbalanced loads or misjudgment of the weight of an object being lifted can result in load and/or machine instability.

**NOTES**

SECTION 4

NOTES

OPERATION

BOBCAT VersaHANDLER OPERATION

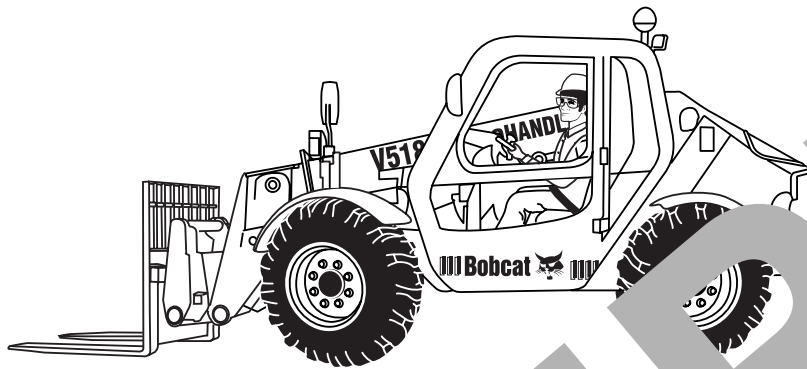


Figure 4-1

Start Up

- Seat Adjustment

Prior to start up, adjust the seat to a comfortable position and ensure that arm and leg movements are not impaired by the seat position. Check to see that you have maximum available vision. Adjust mirrors as necessary.

- Seat Belt

Prior to starting the Bobcat **VersaHANDLER**, be certain that your seat belt is fastened and properly adjusted.

- Overhead Guards

Rough Terrain Forklifts are equipped with overhead guards. Some are equipped with a *Roll Over Protective Structure (ROPS)* and/or a *Falling Object Protective Structure (FOPS)*. These systems consist of steel bracing and/or cage material which surrounds the operator's position on Telescopic Handlers.

Turning Radius and Clearance Considerations

NOTES

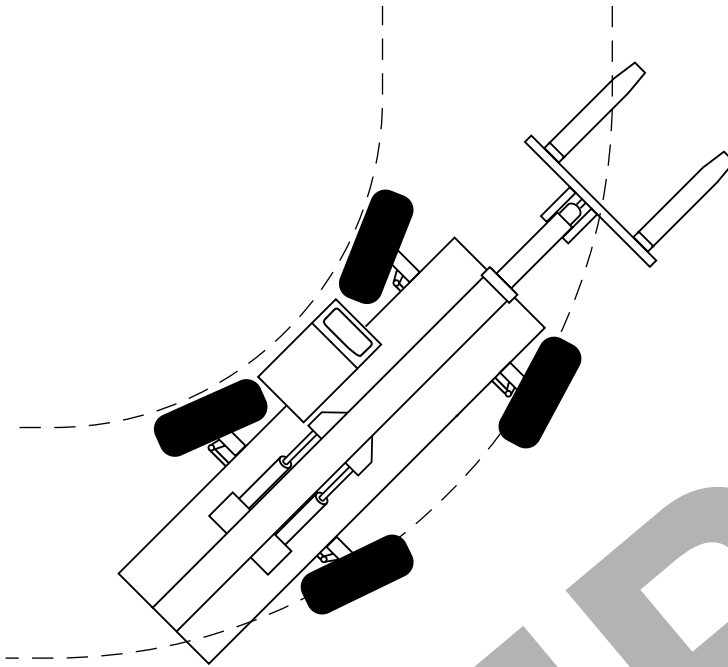


Figure 4.5 - Turning Radius

The Bobcat VersaHANDLER is designed with specific turning and clearance considerations in mind.

The Bobcat VersaHANDLER is configured for operator selectable **two-wheel**, **four-wheel** and **crab steering** modes.

With **four-wheel steering**, the Bobcat VersaHANDLER steers like an automobile with the front wheels providing directional control.

SAMPLE